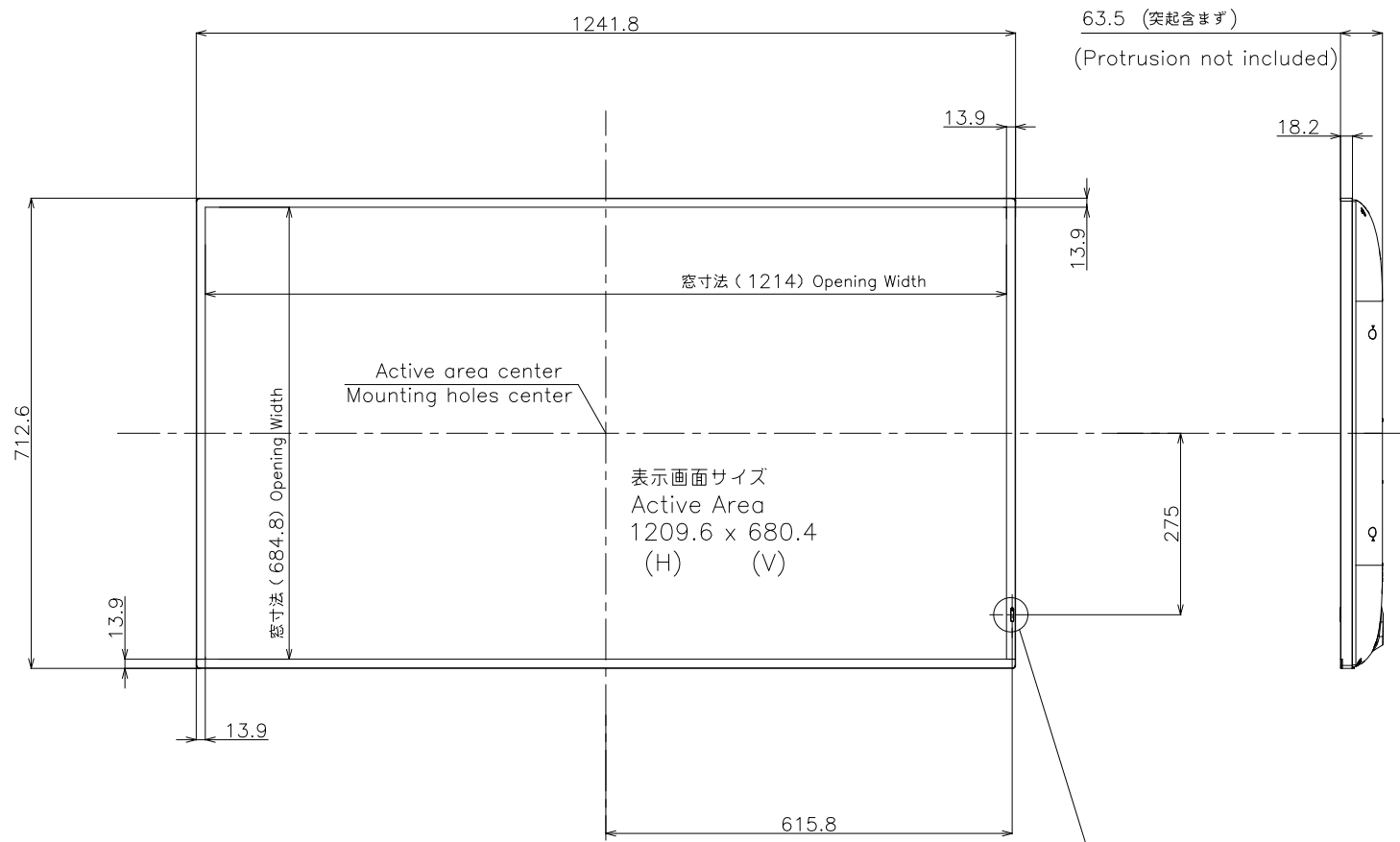


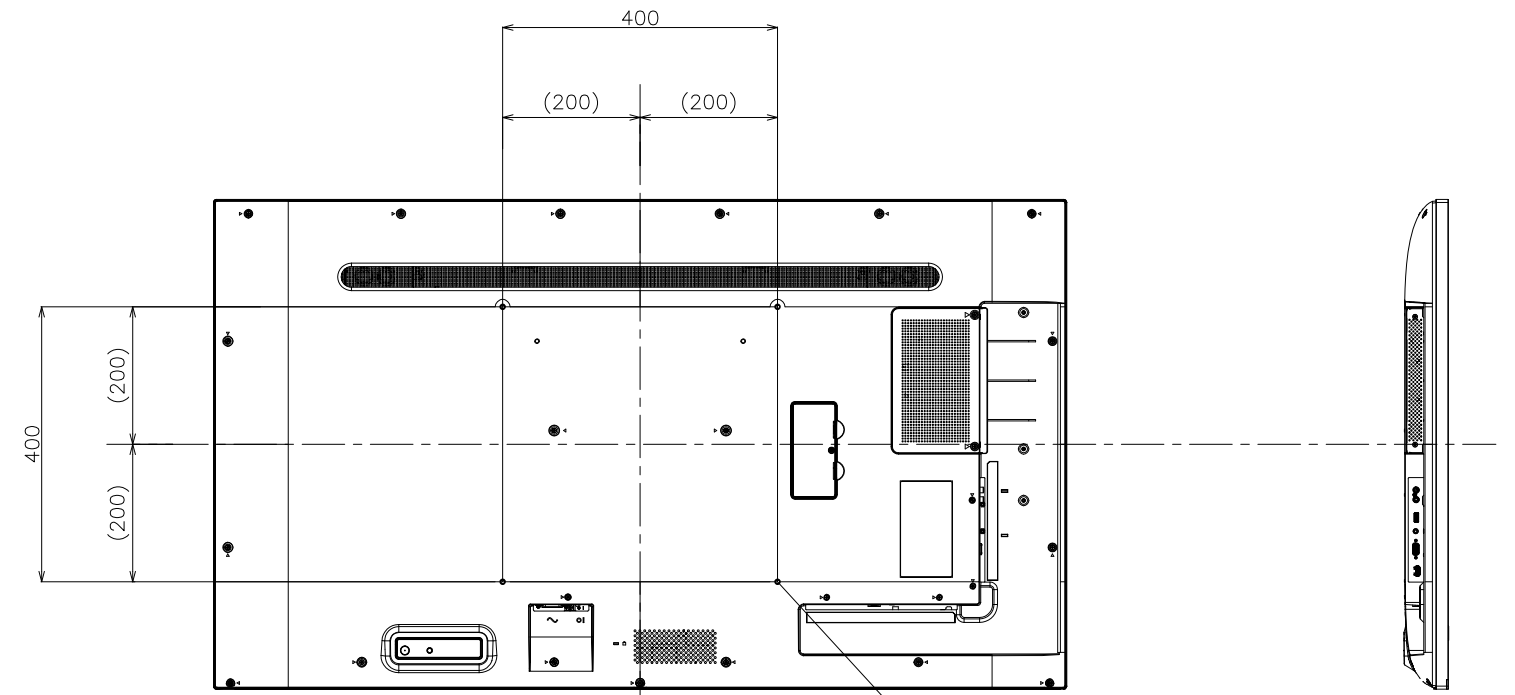
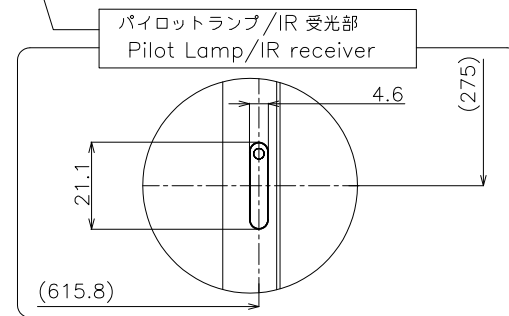
PN-HY551

寸法図

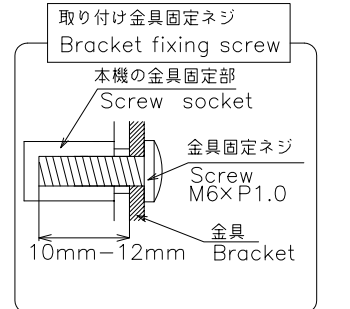
Dimensional Drawing



←
縦置き設置時 上方向
In portrait installation: this side up



4- 取り付け金具用ネジ穴
4- Screw holes for mounting brackets



| | | | |
|--------|---------|------|------|
| 質量 | 18 kg | 単位 | : mm |
| Weight | Approx. | Unit | : mm |