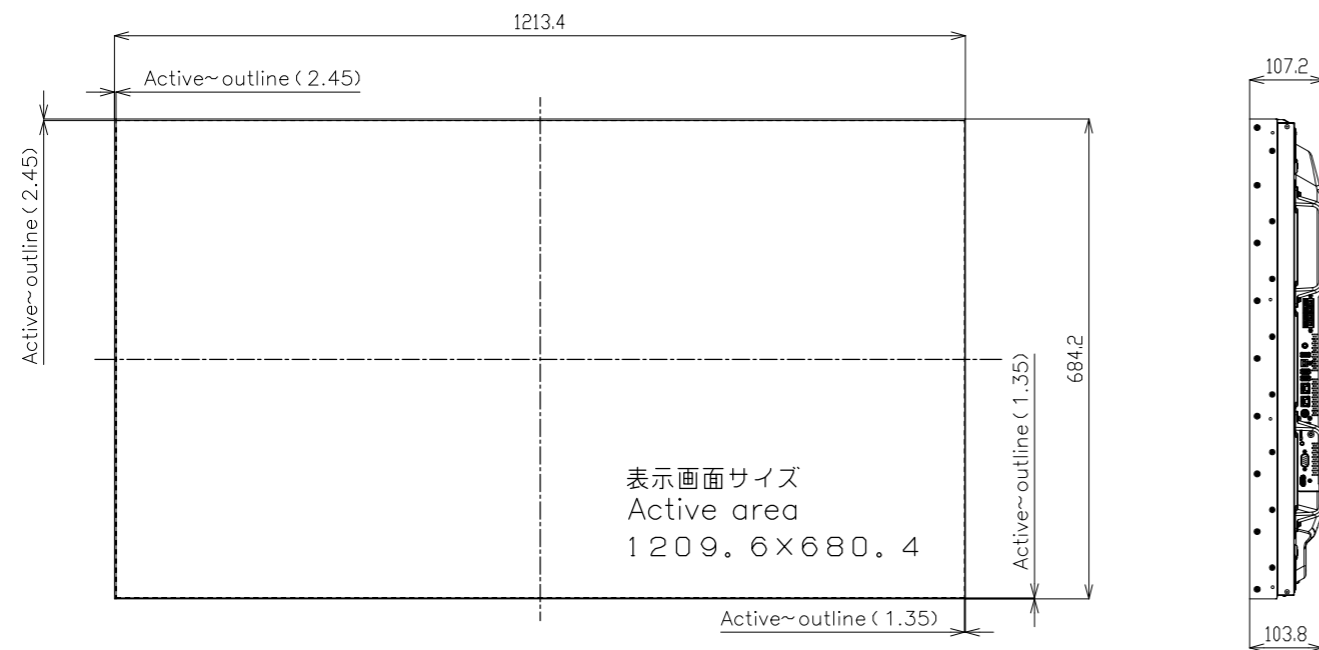


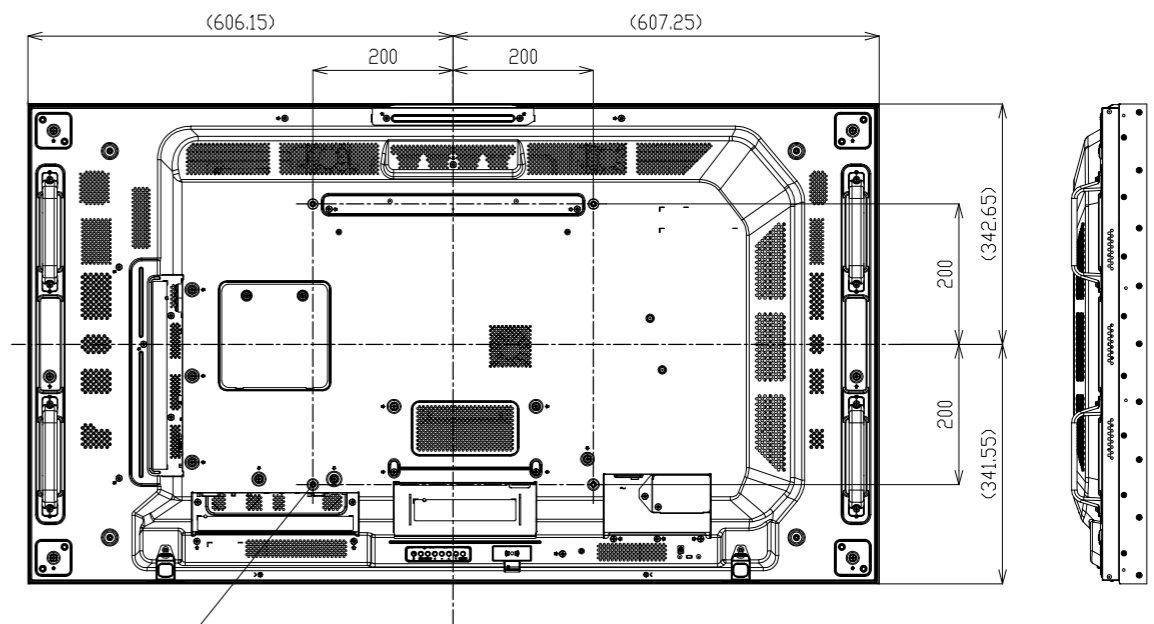
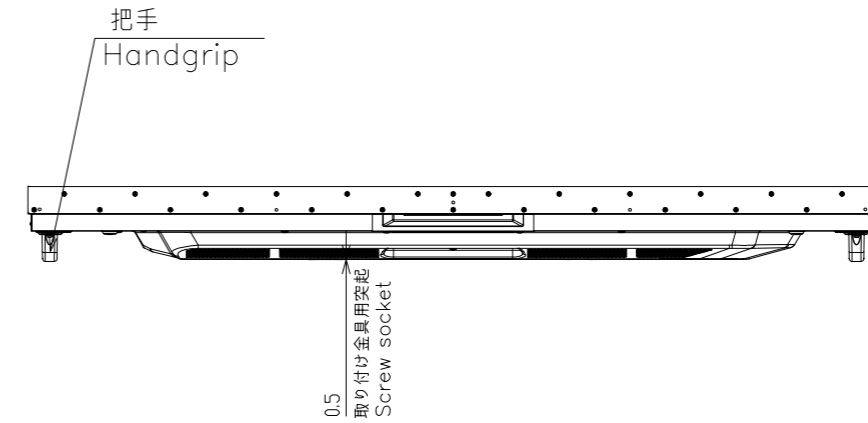
# PN-V553

## 寸法図

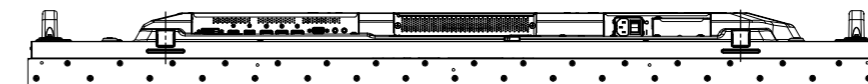
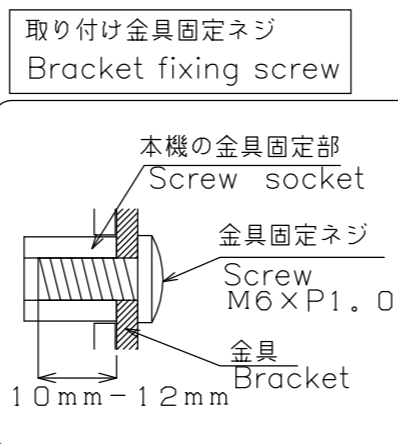
## Dimensional Drawings



※把手含む  
Including handgrip



4-取り付け金具用ネジ穴  
4-Screw holes for mounting brackets



|        |           |
|--------|-----------|
| 質量     | 約 28.1 kg |
| Weight | Approx.   |

単位 : mm  
Unit : mm