

SM8521 CONTENTS

DESCRIPTION	2	INSTRUCTION SET	51
FEATURES	2	Definition of Symbols	
PIN CONNECTIONS	3	Instruction Summary	
BLOCK DIAGRAM	4	Addressing Mode	
PIN DESCRIPTION	5	SYSTEM CONFIGURATION EXAMPLE	55
ABSOLUTE MAXIMUM RATINGS	6		
RECOMMENDED OPERATING CONDITIONS	6		
DC CHARACTERISTICS	7		
SM85CPU	8		
Register Lineup			
Address Space			
ROM Area			
Register File Area			
RAM Area			
Data Format			
Bus Timing			
SYSTEM CONTROL	18		
Oscillator Circuit			
Clock System			
Memory Map			
Hardware Reset			
Interrupt Function			
Standby Function			
I/O PORTS	29		
TIMER/COUNTERS	30		
Clock Timer			
Watchdog Timer Register (WDT)			
LCDC/DMA	33		
VRAM Configuration			
DMA Transfer			
Compound and Overwrite Mode			
Registers			
SOUND GENERATOR	41		
Sound Waveform Register			
Registers			
MMU	45		
UNIVERSAL ASYNCHRONOUS RECEIVER AND TRANSMITTER (UART) INTERFACE	47		
UART Transmit Data Register (URTT)			
UART Receive Data Register (URTR)			
UART Status Register (URTS)			
UART Control Register (URTC)			
Transfer Format			

SM8521

8-Bit Single-Chip Microcomputer (Controller For Hand-Held Equipment)

DESCRIPTION

The SM8521 is a CMOS 8-bit single-chip micro-computer containing SM85CPU core and the required peripheral functions for dot matrix LCD display system. SM85CPU is an 8-bit High performance CPU with various addressing modes and High-efficiency instruction sets. SM85CPU is featured by allocating general registers on RAM to reduce overhead when calling subroutines.

The peripheral functions and memory of SM8521 contain ROM, RAM, MMU, LCD controller, DMA, sound generator, timer, serial interface (UART) and PIO.

FEATURES

- ROM capacity : 4 096 x 8 bits
- RAM capacity : 1 024 x 8 bits
- External memory expansion
- A RAM area is used as subroutine stack
- CPU core :
 - 8 bits x 8 ports (or 16 bits x 4 ports) and 16 bits x 4 ports general purpose register are used as accumulator, register pointer, and register index.
 - Instruction sets 67
(multiplication/division/bit manipulation instruction)
 - Addressing mode 23 types
 - System clock cycle 0.2 μ s (MIN.) at 10 MHz
 main clock cycle
 - System clock is variable by software (system clock can be optioned to 1/2, 1/4, 1/8, 1/16, 1/32 of main-clock and 1/2 of sub-clock.)
- Built-in main clock oscillator for system clock
- Built-in sub clock oscillator for real time clock
- Interrupts :

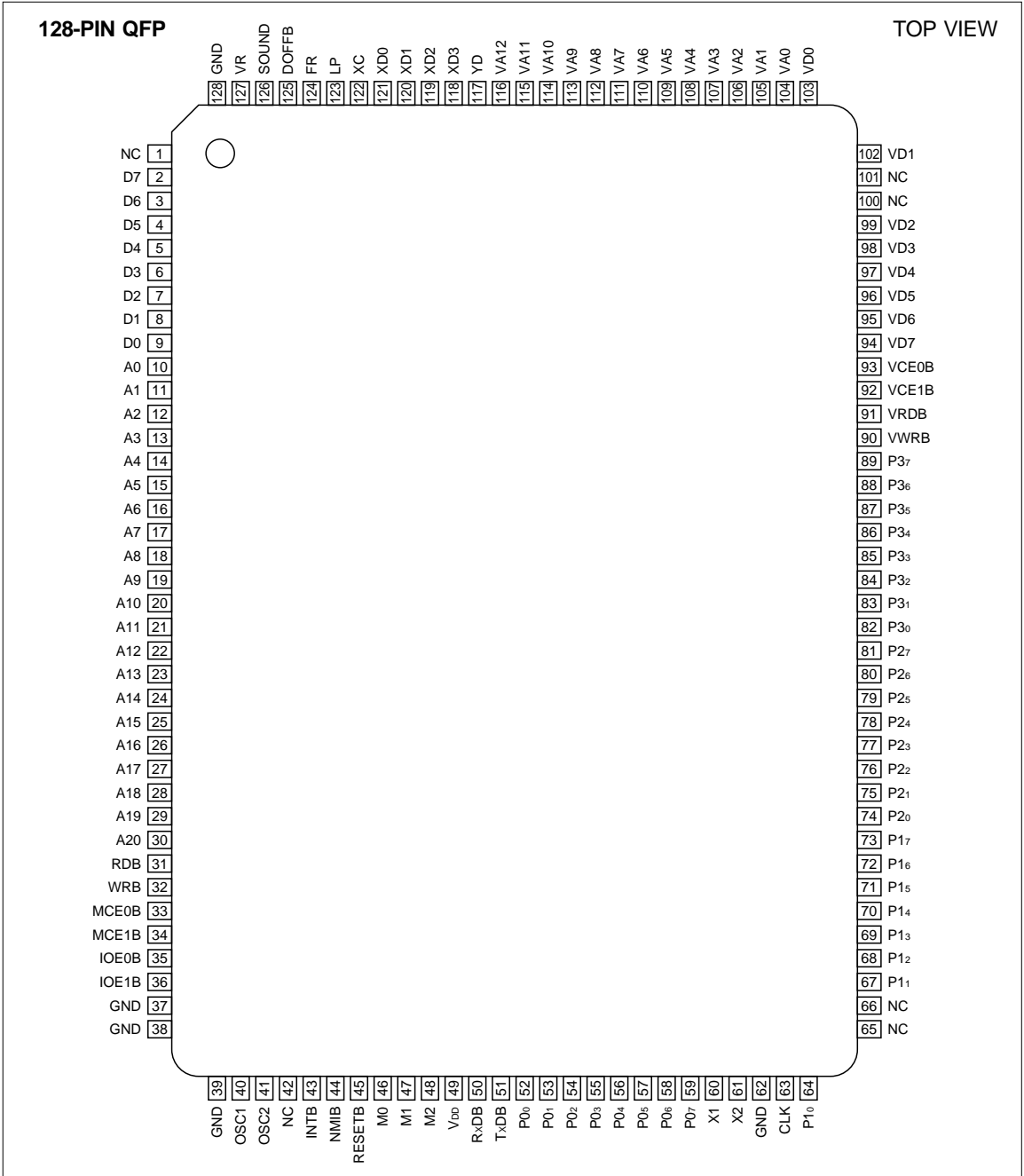
Non-maskable interrupts	x 2
Maskable interrupts	x 8
- Standby modes : Halt mode/Stop mode
- I/O ports : Input/output 32
- Timer :
 - 8 bits x 2 (with 8 bits prescaller)
 - Clock timer x 1 (1 s or 1 min)
 - Watchdog timer
- MMU :
 - In each 8 k-byte unit, external memory can be expanded up to MAX. 2 M bytes.
- LCD controller :

Display size	160 x 100 dots
	160 x 160 dots
	160 x 200 dots
	200 x 100 dots
	200 x 160 dots
	black & white 4 gradations (interframe elimination)
VRAM	160 x 200 dot x 2 phases or 200 x 160 dot x 2 phases (required externally)
- DMA :

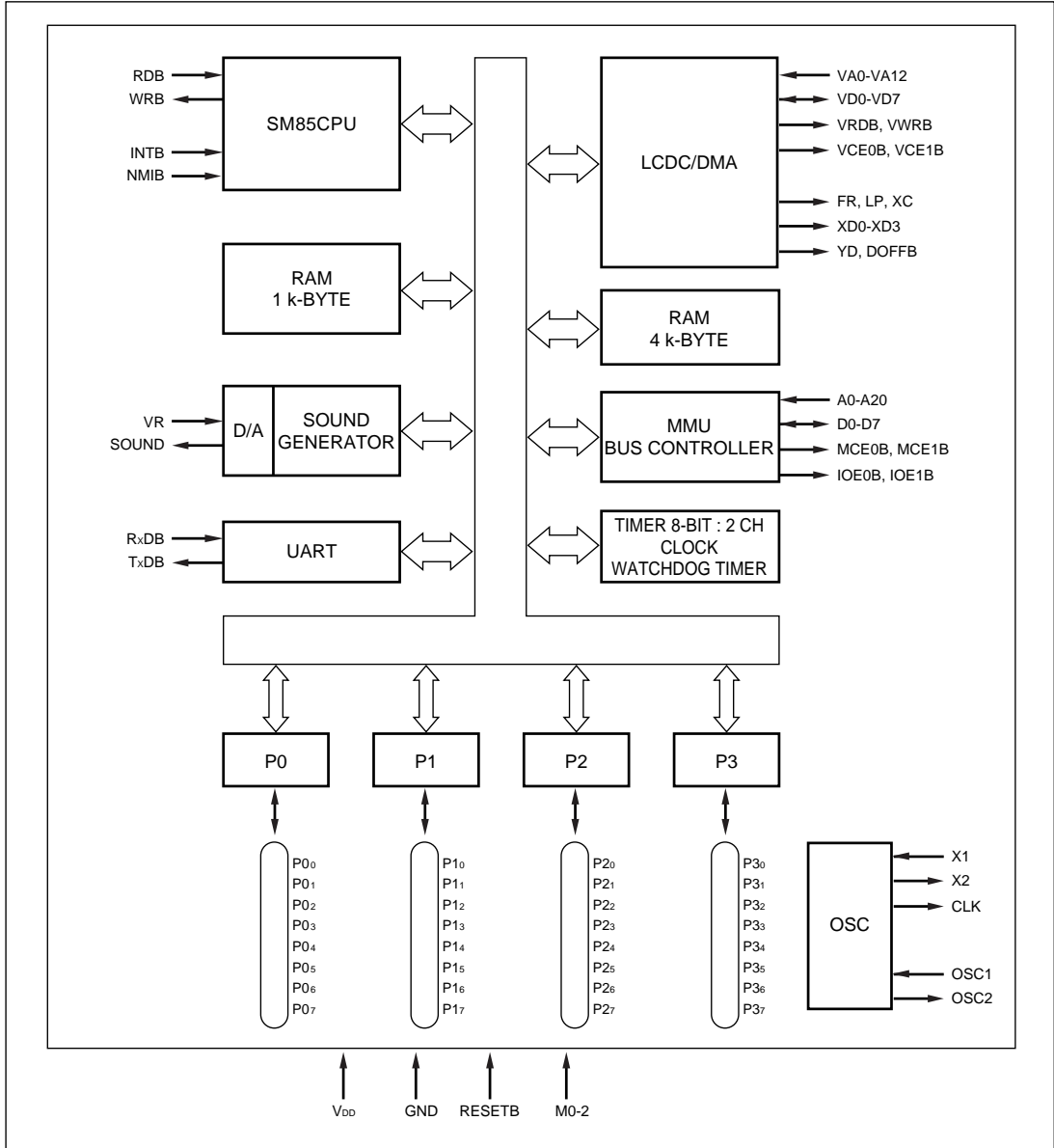
Transmission mode :	ROM to VRAM, VRAM to VRAM, Extend RAM to VRAM, VRAM to Extend RAM
Transmission data :	Rectangle (Arbitrary size)
- Sound generator :
 - Arbitrary waveform x 2 (16-level tone, 32-step/1-period waveform output)
 - Noise x 1 channel
- PIO :
 - I/O 8-bit x 4
 - (In each 2 bits, I/O, pull-up and open-drain can be set.)
 - IR carrier generator built-in.
- UART :
 - 1 channel
 - Baud rate : Timer 0 output only (Timer 0 output/32)

- Serial interface :
 - UART 8-bit clock asynchronous x 1
- Clock output
- Supply voltage : 4.5 to 5.5 V
- Packages : 128-pin QFP (QFP128-P-1420)

PIN CONNECTIONS



BLOCK DIAGRAM



PIN DESCRIPTION

PIN NAME	I/O	FUNCTION
D0-D7	I/O	External data bus
A0-A20	O	External address bus
MCE0B	O	Chip enable 0 (Mask ROM/flash memory)
MCE1B	O	Chip enable 1 (SRAM)
IOE0B	O	I/O enable 0 (address : FF00-FFFF)
IOE1B	O	I/O enable 1 (address : FF00-FFFF)
RDB	O	Read strobe
WRB	O	Write strobe
NMIB	I	Non-maskable interrupt
INTB	I	External interrupt
VD0-7	I/O	VRAM data bus
VA0-12	O	VRAM address bus
VCE0B	O	VRAM chip enable 0 (A000-BFFF)
VCE1B	O	VRAM chip enable 1 (C000-DFFF)
VRDB	O	VRAM read strobe
VWRB	O	VRAM write strobe
P0 ₀ -P0 ₇	I/O	I/O port 0
P1 ₀ -P1 ₇	I/O	I/O port 1
P2 ₀ -P2 ₇	I/O	I/O port 2
P3 ₀ -P3 ₇	I/O	I/O port 3
RxDB	I	UART data input port
TxDB	O	UART data output port
SOUND	O	Sound output
VR	I	D/A converter reference voltage
FR	O	LCD drive waveform
LP	O	Display data latch pulse
XC	O	Display data clock
XD0-XD3	O	Display data
YD	O	Vertical timing
DOFFB	O	Display off
X1	I	Main clock input
X2	O	Main clock output
CLK	O	System clock output
OSC1	I	Subclock input
OSC2	O	Subclock output
RESETB	I	Reset
M0-M2	I	Operation Mode (usually GND)
V _{cc} , GND	I	Power supply

ABSOLUTE MAXIMUM RATINGS

PARAMETER	SYMBOL	CONDITION	RATING	UNIT
Supply voltage	V_{DD}		-0.3 to 6.5	V
Input voltage	V_I		-0.3 to $V_{DD} + 0.5$	V
Output voltage	V_O		-0.3 to $V_{DD} + 0.5$	V
Output current	I_{OH}	High-level output current	4	mA
	I_{OL}	Low-level output current	4	mA
Operating temperature	T_{OPR}		-10 to +60	°C
Store temperature	T_{STG}		-40 to +140	°C

RECOMMENDED OPERATING CONDITIONS

PARAMETER	SYMBOL	CONDITION	RATING	UNIT
Supply voltage	V_{DD}		4.5 to 5.5	V
System clock frequency	f_{SYS}	$V_{DD} = 4.5$ to 5.5 V	16.384 k to 5 M	Hz
Maximum main clock frequency	f_{CK}	$V_{DD} = 4.5$ to 5.5 V	10	MHz
Subclock frequency	f_{SUB}	$V_{DD} = 2.7$ to 5.5 V	32.768	kHz
Operating temperature	T_{OPR}		-10 to +60	°C

NOTE :

Be sure to RESETB when power on because internal signal requires initialization. Normal operation is not guaranteed without hardware reset.

DC CHARACTERISTICS

 $(V_{DD} = 4.5 \text{ to } 5.5 \text{ V}, T_{OPR} = -10 \text{ to } +60^{\circ}\text{C})$

PARAMETER	SYMBOL	CONDITION	MIN.	TYP.	MAX.	UNIT	NOTE
Input voltage	V_{IH1}		$0.8 \times V_{DD}$		V_{DD}	V	1
	V_{IL1}		0		$0.2 \times V_{DD}$		
	V_{IH2}		$V_{DD} - 0.5$			V	2
	V_{IL2}				0.5		
Input current	I_{IH1}	$V_{IN} = V_{DD}, V_{DD} = 5 \text{ V}$			10	μA	3
	I_{IL1}	$V_{IH} = 0 \text{ V}, V_{DD} = 5 \text{ V}$			-10		
	I_{IL2}	$V_{IN} = 0 \text{ V}, V_{DD} = 5 \text{ V}$	-40	-75	-150	μA	4
Output voltage	V_{OH1}	$I_{OH1} = -1 \text{ mA}, V_{DD} = 5 \text{ V}$	$V_{DD} - 0.5$			V	5
	V_{OL1}	$I_{OL1} = 10 \text{ mA}, V_{DD} = 5 \text{ V}$			0.5		
D/A	Resolution	$V_R = V_{DD} = 5 \text{ V}$		8		bits	6
	Output resistance	$V_R = V_{DD} = 5 \text{ V}$			10	$k\Omega$	
	Combined tolerance	$V_R = V_{DD} = 5 \text{ V}$		± 0.05	± 0.10	V	
Supply current	I_{DD}	$f_{SYS} = 5 \text{ MHz}$		30	45	mA	7
	I_{DDH}	$f_{SYS} = 5 \text{ MHz}, \text{HALT mode}$		15	18		8
	I_{DDs1}	f_{SUB} oscillation, STOP mode		30	70	μA	9
	I_{DDs2}	f_{SUB} stop, STOP mode		1	6	μA	10

NOTES :

- Applicable pins : P0₀-P0₇, P1₀-P1₇, P2₀-P2₇, P3₀-P3₇, D0-D7, VD0-VD7, X1, M0-M2
- Applicable pins : RESETB, OSC1, RxDB, NMIB, INTB
- Applicable pins : P0₀-P0₇, P1₀-P1₇, P2₀-P2₇, P3₀-P3₇, VD0-VD7, X1, M0-M2 (non-connected pull-up resistor)
- Applicable pins : RESETB, P0₀-P0₇, P1₀-P1₇, P2₀-P2₇, P3₀-P3₇ (connected pull-resistor)
- Applicable pins : P0₀-P0₇, P1₀-P1₇, P2₀-P2₇, P3₀-P3₇, D0-D7, A0-A20, MCE0B, MCE1B, IOE0B, IOE1B, RDB, WRB, VA0-VA12, VCE0B, VCE1B, VWRB, TxDB, XC, LP, FR, CLK, XD0-XD3
- No load condition, $V_{DD} = 5 \text{ V}$, main clock = 10 MHz
- No load condition, $V_{DD} = 5 \text{ V}$, sub clock in active (32.768 kHz), $V_R = \text{GND}$, input signal fixation.
- No load condition, $V_{DD} = 5 \text{ V}$, sub clock in active (32.768 kHz), $V_R = \text{GND}$, input signal fixation. Including LCD, DMA, sound generator and any part concerned with timer operation.
- No load condition, $V_{DD} = 5 \text{ V}$, sub clock in active (32.768 kHz), $V_R = \text{GND}$, input signal fixation.
- No load condition, $V_{DD} = 5 \text{ V}$, OSC1 = GND, $V_R = \text{GND}$, input signal fixation.

SM85CPU

The SM85CPU is an 8-bit CPU with an unique architecture, developed by SHARP, and the following features.

General purpose register architectures

- There are eight 8-bit general purpose registers (also serve as four 16-bit general purpose registers) and four 16-bit general purpose registers serve as accumulator, index register, or the pointer registers.

General purpose register allocated at RAM

- The general purpose registers access the RAM location by the register pointer RP. So pushing the register during an interrupt and passing parameter to subroutine can be executed in High speed.

Refined instruction set

- The instruction set contains total 67 members : 8 load instructions, 19 arithmetic instructions, 7 logic instructions, 9 program control (branch) instruction, 8 bit manipulation instructions, 8 rotate & shift instructions and 9 CPU control instructions.
- There are powerful bit manipulation instructions includes plural bits transfer, logical operation between bits, and the bit test and jump instructions that incorporates a test and condition branch in the same instruction. (Refer to Table 1)

- There are data transfer, arithmetic and conditional branch instructions for 16-bit. It can rapidly process the word-sized and long jump.
- There are 8-bit x 8-bit→16-bit multiplication and 16-bit x 16-bit→16-bit remaining 8-bit division instructions. (Unsigned arithmetic)

23 address modes

- The rich address modes provides optimal access to ROM, RAM and the register files.

Illegal instruction detecting function

- When an error code is detected, a non-maskable interrupt (NMI) will be generated.

Standby function

- There are two standby modes, HALT and STOP mode, and the mode can be changed by HALT instruction or STOP instruction respectively.

Table 1 Instruction summary

TYPE	INSTRUCTION	NUMBER
Load instruction	CLR, MOV, MOVW, POP, POPW, PUSH, PUSHW	8
Arithmetic instruction	ADC, ADCW, ADD, ADDW, CMP, CMPW, DA, DEC, DECW, DIV, EXTS, INC, INCW, MULT, NEG, SBC, SBCW, SUB, SUBW	19
Logic instruction	AND, ANDW, COM, OR, ORW, XOR, XORW	7
Program control instruction	BBC, BBS, BR, CALL, CALS, DBNZ, IRET, JMP, RET	9
Bit manipulation instruction	BAND, BCLR, BCMP, BMOV, BOR, BTST, BSET, BXOR	8
Rotate & shift instruction	RL, RLC, RR, RRC, SLL, SRA, SRL, SWAP	8
CPU control instruction	COMC, CLRC, DI, EI, HALT, NOP, SETC, STOP	8

Total 67

Table 2 Addressing Mode Summary

NAME	SYMBOL	Range	Operand ^{*1}
Implied			To specify the carry(C) and interrupt enable (I) in the instruction code.
Register	r	r = R0-R7	General register [byte]
Register pair	rr	r = RR0, RR2, ... , RR14	General register [word]
Register file	R	R = 0 to 255 (R0-R15)	Register file (0000H-007FH) and (0080H-00FFH) [byte]
Register file pair	RR	R = 0, 2, ... 254 (RR0, RR2, ... , RR14)	Register file (0000H-007FH) and (0080H-00FFH) [byte]
Register indirect	@r	r = R0-R7	Memory (0000H-00FFH) [byte]
Register indirect auto increment	(r)+	r = R0-R7	Memory (0000H-00FFH) [byte]
Register indirect auto decrement	-(r)	r = R0-R7	Memory (0000H-00FFH) [byte]
Register index	n(r) ^{*2}	n = 00H-FFH, r = R1-R7	Memory (0000H-00FFH) [byte]
Register pair indirect	@rr	rr = RR0, RR2, ... , RR14	Memory (0000H-FFFFH) [word/byte]
Register pair indirect auto increment	(rr)+	rr = RR0, RR2, ... , RR14	Memory (0000H-FFFFH) [word/byte]
Register pair indirect auto decrement	-(rr)	rr = RR0, RR2, ... , RR14	Memory (0000H-FFFFH) [word/byte]
Register pair index	nn(rr) ^{*3}	nn = 0000H-FFFFH rr = RR2, RR4, ... , RR14	Memory (0000H-FFFFH) [word/byte]
Index indirect	@nn(r) ^{*2}	nn = 0000H-FFFFH r = R1-R7	Memory (0000H-FFFFH) [word]
Immediate	IM	IM = 00H-FFH	The immediate data in the instruction code [byte]
Immediate long	IML	IML = 0000H-FFFFH	The immediate data in the instruction code [word]
Bit	b	b = 0 to 7	Register file (0000H-007FH) and memory (0080H-00FFH, FF00H-FFFFH) [bit] (1 bit of 1 byte pointed by R, n(r) and DAp)
Port	p		Register file (0010H-0017H) [byte]
Relative	RA	PC - 128 to PC + 127	Program memory (1000H-FFFFH)
Direct	DA	DA = 0000H-FFFFH	Memory (0000H-FFFFH) [byte]
Direct short	DAs	DAs = 1000H-1FFFH	Program memory (1000H-1FFFH)
Direct special page	DAp	DAp = FF00H-FFFFH	Program memory (FF00H-FFFFH) [byte]
Direct indirect	@DA	DA = 0000H-FFFFH	Memory (0000H-FFFFH)

*1 The data indicated by [] is the unit of possible to use in Load and Arithmetic Instructions.

*2 R0 can not be used.

*3 RR0 can not be used.

Register Lineup

Fig. 1 shows the SM85CPU register lineup. The CPU internal register consists of eight 8-bit general purpose registers (R0-R7), four 16-bit general purpose registers

(RR8-RR14), a program counter (PC) and four other control registers. (The R0-R7 can be also used as four 16-bit general purpose registers (RR8-RR14).)

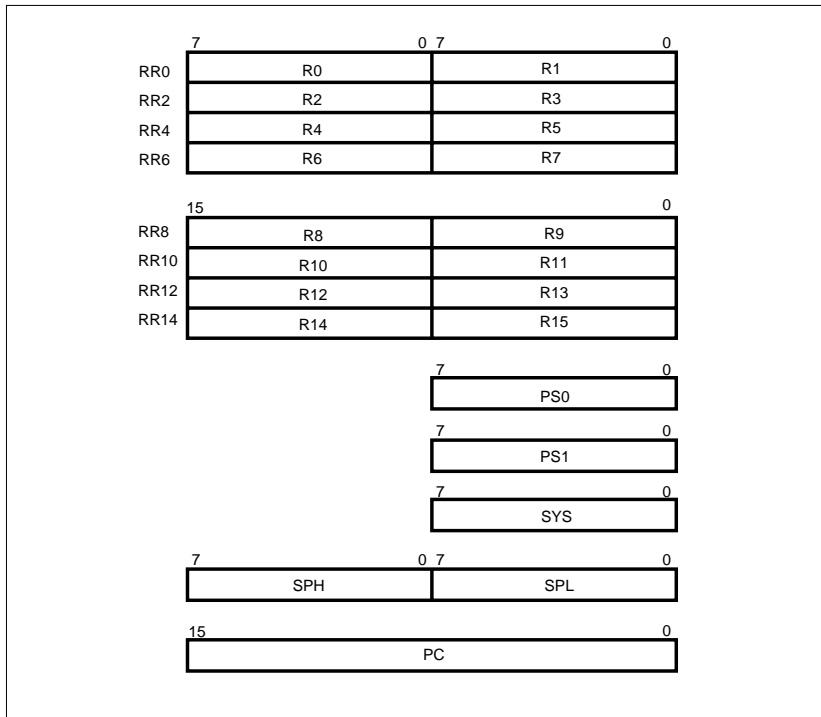


Fig. 1 Register Lineup

GENERAL PURPOSE REGISTER

The eight 8-bit general purpose registers R0-R7 and all eight 16-bit general purpose registers (RR0-RR14) are available for use as accumulator, index register and pointer registers. (The R0 and RR0 cannot be used as index register)

The other eight 8-bit registers R8-R15 cannot be used as 8-bit general purpose register and as member of the register file. (about register file, refer to "Address Space.")

The feature of the SM85CPU architecture is that general purpose registers are virtually allocated at 16-byte internal RAM. Actually, if the CPU accesses general purpose registers, the designated RAM will be accessed by the 5-bit register pointer (RP)*. When RP = 00000B, the registers occupy the first

16 bytes starting at 0000H. Incrementing the field, RP = 00001B, shifts the mapping by eight bytes so that the registers start at 0008H. As a result, the general purpose registers can be switched in 8-byte unit to any RAM location within 0000H-00FFH.

Although the general purpose registers are members of the register file, which stores the data onto actual RAM, is different from the other members (control registers).

That is, general purpose registers can be referred as registers, as register file (allocated at 0000H-000FH) and as RAM accessing by all addressing modes.

* About register pointer (RP), refer to "Processor status 0 (PS0)".

CPU CONTROL REGISTER

The SM85CPU has the following control register : processor status PS0, processor status PS1, system configuration register SYS, stack pointer SPH, SPL and program counter PC. All control register except the program counter PC are members of the register file and accessible by the register file R and the register file pair RR addressing modes.

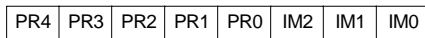
Processor status 0 (PS0)

The processor status PS0 is an 8-bit readable/writable register containing 2 fields, the upper 5-bit is register pointer (RP) and the lower 3-bit is interrupt mask.

Bits 2 to 0 : Interrupt mask bits (IM)

BIT	CONTENT
000	All maskable interrupts recognized
001	
010	Maskable interrupts with level 1 to 12 recognized
011	Maskable interrupts with level 1 to 10 recognized
100	Maskable interrupts with level 1 to 8 recognized
101	Maskable interrupts with level 1 to 6 recognized
111	Maskable interrupts with level 1 to 4 recognized
111	Maskable interrupts with level 1 to 2 recognized

Bit 7 0



Bits 7 to 3 : Register pointer (RP)

This gives, in 8 bytes unit, the starting address in RAM for general purpose registers.

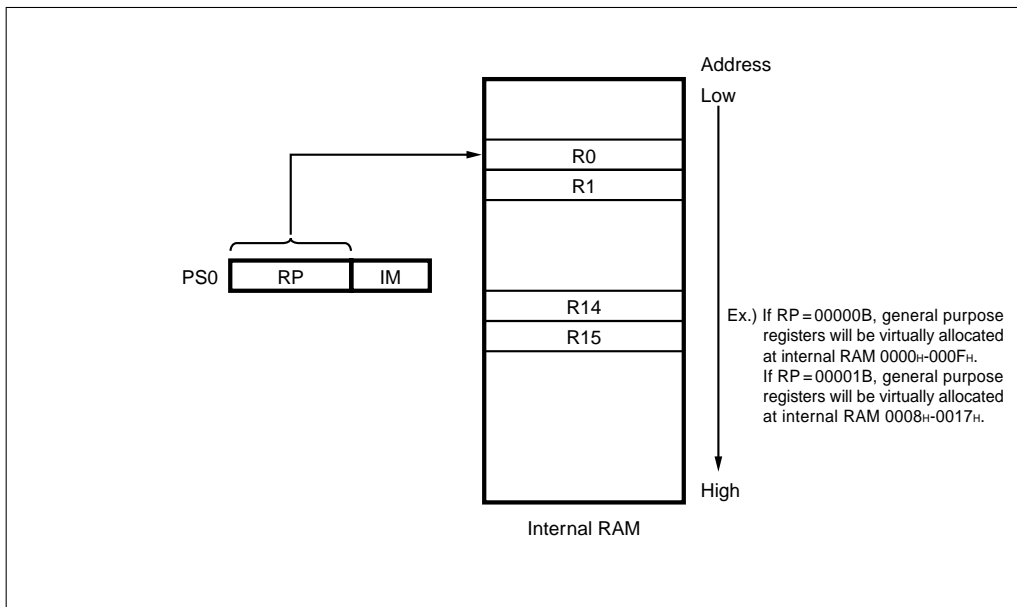
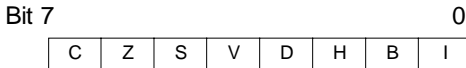


Fig. 2 Register Pointer (RP) Setting Example

Processor status 1 (PS1)

The processor status PS1 is an 8-bit readable/writable register and consists of eight flag bits. These flags can be used as the condition codes for the conditional branch instructions. When CPU generates an interrupt, the content of processor status PS1 and the value of program counter PC automatically are pushed onto stack.



Bit 7 : Carry (C)

It indicates that generated a carry in operation.

Bit 6 : Zero (Z)

It indicates that the operation result is zero.

Bit 5 : Sign (S)

It indicates that the operation result is negative (Sign bit = '1').

Bit 4 : Overflow (V)

Executes the operation with the signed value. If the operation result cannot indicate complement on two, then the bit will be '1'.

Bit 3 : Decimal adjustment (D)

It indicates that the last arithmetic operation is a subtraction.

Bit 2 : Half carry (H)

It indicates that generated a carry between bit 3 and 4.

Bit 1 : Bit (B)

It indicates that the result of the last bit manipulation.

Bit 0 : Interrupt enable (I)

This is a flag which enables/disables all maskable interrupt.

System configuration register (SYS)

The system configuration register SYS is an 8-bit readable/writable register which sets the external memory expansion modes and selects 8-bit/16-bit stack pointer.



Bit 7 : Sets '0'

Bit 6 : Stack pointer configuration (SPC)

BIT	CONTENT
0	8-bit (SPL only)
1	16-bit (both SPL, SPH)

Bits 5 to 3 : Set '0'

Bits 2 to 0 : Memory configuration (MCNF2-0)

BIT	CONTENT
000	External memory expansion disable.
110	External memory expansion mode (64 k bytes*)
Other combination	Do not use.

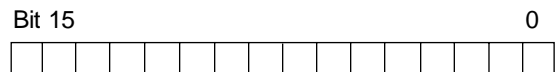
* : In ROM space (60 k bytes), the field beyond the internal ROM is the external memory access field.

Stack pointer (SPL, SPH)

The stack pointer SPL, SPH are 8-bit readable/writable register and show the stack address. The bit SPC of the system configuration (SYS) specifies whether the stack pointer is 8 (SPL only) or 16 (both SPL and SPH) bits long.

Program counter (PC)

The program counter (PC) is a pointer for program memory and contains the starting address for the next instruction.



The program counter PC is initialized to 1020_H after hardware reset. That is, the application program starts executing from the address 1020_H after hardware reset.

Address Space

The SM85CPU has a 64 k-byte address space, which is divided into RAM (0000H-0FFFH) and ROM (1000H-FFFFH) areas. The address 0000H-007FH are both shared by RAM and register file. Fig. 9-1 shows the SM8521 Memory Map.

The RAM and register file allocated at 0000H-007FH can be selected by the addressing mode designated by instructions.

The SM8521 supports an Memory Management Unit used to external memory area expansion. Refer to "Memory Management Unit (MMU)".

ROM Area

ROM area starts at the address 1000H of the space address. The first portion (1000H-101FH) is reserved for the interrupt vector table. Each 2 bytes entry in the vector table contains the address of interrupts. When an interrupt encountered, the CPU jumps to the corresponding branch address of vector table for program executing. The address 1020H marks the start of the user program area itself. Executing always starts at 1020H after hardware reset.

Register File Area

The register file is allocated between 0000H and 007FH. The first 16 bytes (0000H-000FH) area are general registers. The remainder is for CPU control registers, peripherals control register and data register.

RAM Area

The RAM area starts at the beginning 0000H of the address space. It overlaps the register file for the address 0000H-007FH.

This arrangement is to shorten the instruction length as much as possible and to permit the use with both RAM and the register file for faster execution.

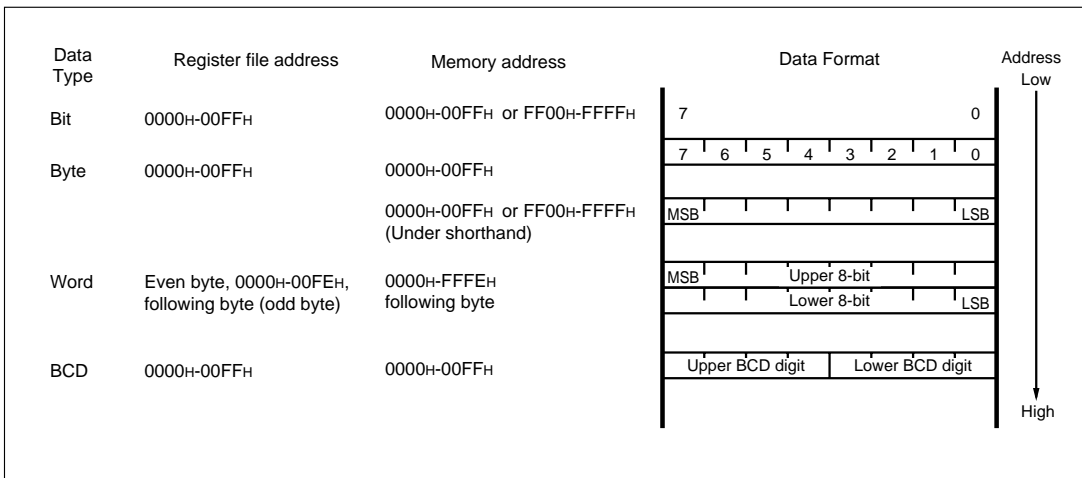


Fig. 3 Register File/Memory Data Formats

Data Format

The SM85CPU supports four data types : bit, 4-bit BCD, byte, and word data.

REGISTER FILE DATA FORMATS

The register file (0000_H-007F_H) and RAM (0080_H-00FF_H) accessible with register file R and register file pair RR addressing support processing for all 4 data types : bit, 4-bit BCD, byte, and word data. Fig. 3 shows the data layout in the register file.

• Bit data (register file)

Bit manipulation instructions access bit data in the register by register file R addressing, which gives the byte address in the register file (0000_H-007F_H), or RAM (0080_H-00FF_H), and the operand b, which gives the bit number within the byte.

• Byte data (register file)

Instructions access the byte data in the register file by register file R addressing, which gives the byte data address in the register file (0000_H-007F_H) or RAM (0080_H-00FF_H).

• Word data (register file)

Instructions access word data in the register file by register file pair RR addressing, which gives the word address, even and 2 bytes address, in the register file (0000_H-007F_H) or RAM (0080_H-00FF_H). The address must be even (0, 2, 4, ..., 254). Specifying an odd address leads to unreliable results.

• BCD data (register file)

The decimal adjust instruction (DA), used to adjust BCD digits after an odd or subtraction, accesses a BCD data byte in the register file by register file R addressing.

• Notice for the general register on register file

The general registers are the first 16 bytes (0000_H-000F_H) in the register file. They can be accessed as byte-sized by register file R addressing and as word-sized by register file pair RR addressing.

MEMORY DATA FORMATS

The memory area (ROM and RAM 0000_H-FFFF_H) supports processing for all 4 data types : bit, 4-bit BCD, byte and word data. However, bit data is limited to the ranges (0000_H-00FF_H, FF00_H-FFFF_H), and 4-bit BCD data to the ranges 0000_H-00FF_H. Fig. 3 shows the data layout in memory.

• Bit data (memory)

Bit manipulation instructions access bit data in memory by register index n(r) addressing, which gives the byte address in the range (0000_H-00FF_H), or by direct special page DAp addressing, which gives the byte address in the range (FF00_H-FFFF_H), and the operand b, which gives the bit number within the byte.

• Byte data (memory)

Instructions access the byte data in memory by shorthand (0000_H-00FF_H or FF00_H-FFFF_H) or full (0000_H-FFFF_H) address.

• Word data (memory)

Instructions access the word data, continue 2 bytes, in memory by shorthand (0000_H-00FF_H or FF00_H-FFFF_H) or full (0000_H-FFFF_H) address. Unlike word data in the register file, the address can be even or odd.

• BCD data (memory)

The decimal adjust instruction (DA), used to adjust BCD digits after an odd or subtraction, accesses a BCD data byte in memory by register index @r addressing.

• Notice for general register on memory

The general registers are actually in a RAM area specified by register pointer RP, so they can be read and modify directly as RAM. While programming, the programmer must take care to arrange program data so that other RAM operations do not destroy general registers content.

Bus Timing

The SM85CPU is variable for system clock. The bit FCPUS2-FCPUS0 (bits 5 to 3 : CKKC) of the clock changing register CKKC can select system clock to 1/2, 1/4, 1/8, 1/16 and 1/32 of the main clock and 1/2 of sub-clock. The CPU operates at 1/32 clock of the main clock after hardware reset.

INTERNAL MEMORY ACCESS TIMING

The read cycle of internal RAM is 2 cycles. The internal RAM supports 2 cycles for reading or writing.

EXTERNAL MEMORY ACCESS TIMING

The external memory supports 2 cycles for reading or writing. Fig. 5 shows the read timing and Fig. 6 shows the write timing.

INSTRUCTION PREFETCH

The SM85CPU, which execution cycle overlaps with the OP code, fetches next instruction OP code during one instruction execution cycle. For example, the execution time for 2 bytes instructions (MOV R, r) of transferring the RAM contents to a register is 4 cycles.

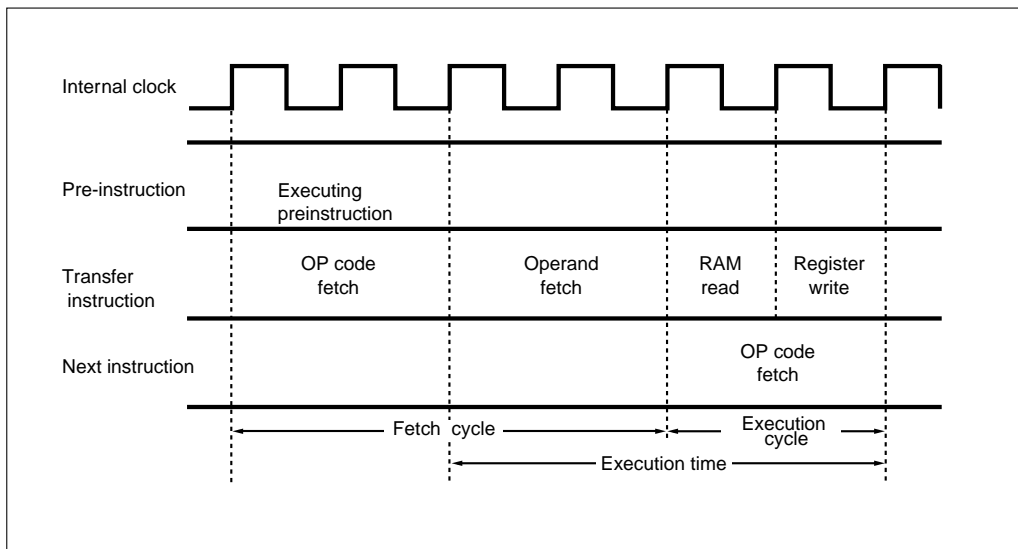


Fig. 4 Instruction Execution for Transfer Instruction (2 Bytes)

• External memory access timing (read timing)

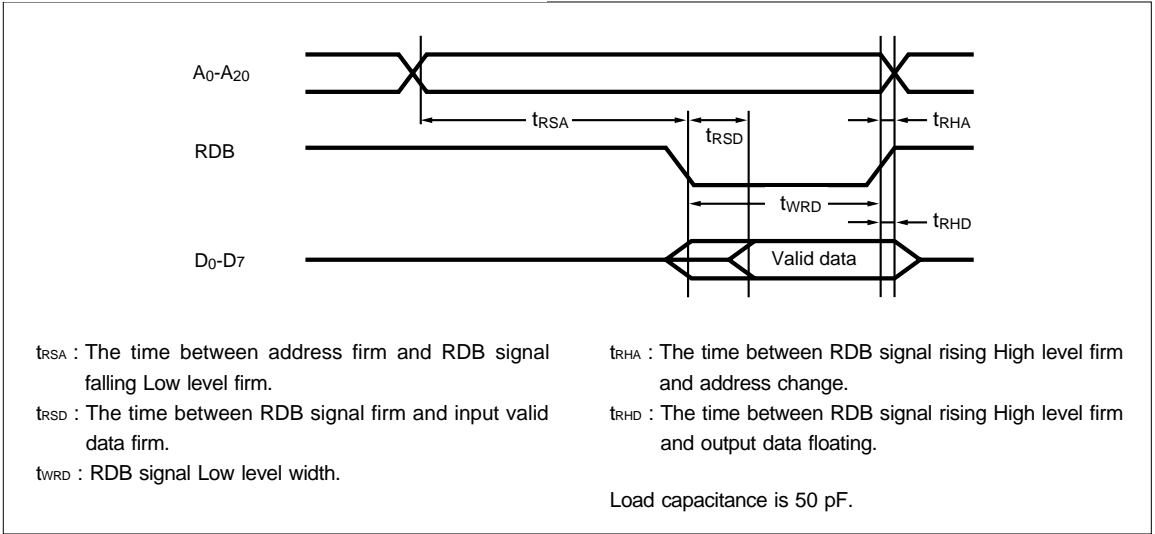


Fig. 5 External Memory Access Timing (Read Timing)

Operating condition

($V_{DD} = 4.5$ to 5.5 V, $T_{OPR} = -10$ to 60°C)

PARAMETER	SYMBOL	MIN.	TYP.	MAX.	UNIT	NOTE
Address setup time	t_{RSA}		t_{SYS}	$t_{SYS} + 50$	ns	1
Read data setup time	t_{RSD}			$t_{SYS}/2 - 30$	ns	1
RDB signal pulse width	t_{WRD}	$t_{SYS} - 50$		t_{SYS}	ns	1
Address hold time	t_{RHA}	0			ns	
Read data hold time	t_{RHD}	0			ns	

NOTE :

- t_{SYS} : The system clock period (main clock x 1/2) when the low order 3 bits in the clock change register FCPUS2-FCPUS0 are 100b.

• External memory access timing (write timing)

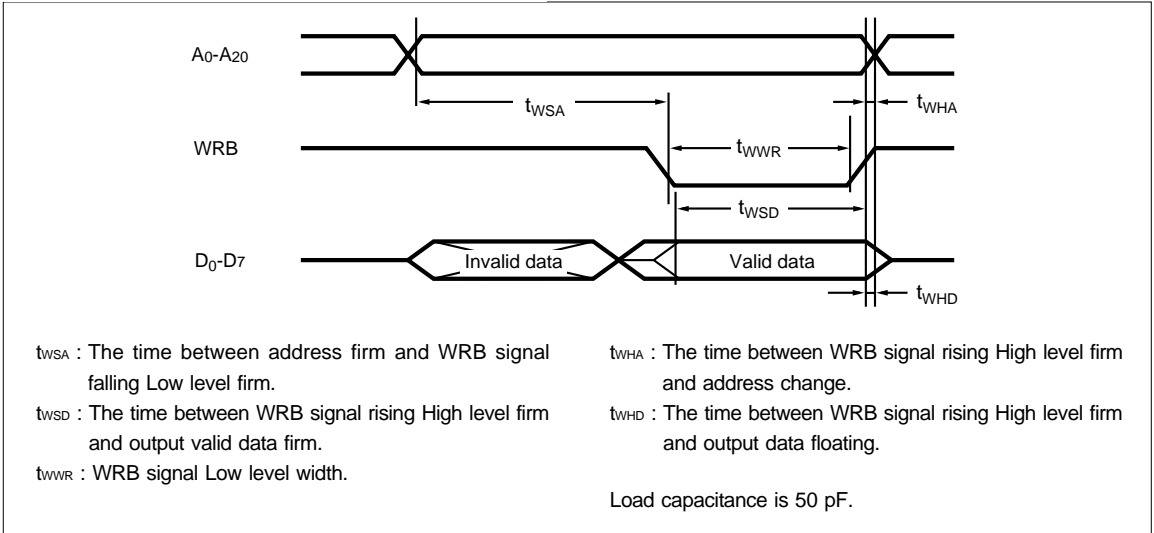


Fig. 6 External Memory Access Timing (Write Timing)

Operating condition

($V_{DD} = 4.5$ to 5.5 V, $T_{OPR} = -10$ to $60^{\circ}C$)

PARAMETER	SYMBOL	MIN.	TYP.	MAX.	UNIT	NOTE
Address setup time	t_{WSA}		t_{SYS}	$t_{SYS} + 50$	ns	1
Data setup time	t_{WSD}	$t_{SYS} - 50$	$t_{SYS} + 30$		ns	1
WRB signal pulse width	t_{WWR}	$t_{SYS} - 60$		t_{SYS}	ns	1
Address hold time	t_{WHA}	10			ns	
Data hold time	t_{WHD}	10			ns	

NOTE :

- t_{SYS} : The system clock period (main clock x 1/2) when the low order 3 bits in the clock change register FCPUS2-FCPUS0 are 100_b.

SYSTEM CONTROL

Oscillator Circuit

The SM8521 is built-in the main-clock and sub-clock oscillator circuits for generating clock signal. The main-clock oscillator circuit is applied to 1.5 to 10 MHz. The sub-clock oscillator circuit is applied to 32.768 kHz.

Clock System

The SM8521 uses the main-clock and sub-clock oscillator circuits to generate the required clock.

The system clock, leads CPU operation, is one of the five clocks which divides the main-clock (f_{CK}) into $1/2$, $1/4$, $1/8$, $1/16$ and $1/32$. It also selects from sub-clock (f_{32K}). In addition, the clocks supplied to the peripheral functions are f_{c1} - f_{c10} divided by the prescaler PRS0 and derived from the $1/2$ clock of main-clock ($f_{CK}/2$), and f_{x1} - f_{x8} divided by the prescaler PRS1 and derived from the sub-clock.

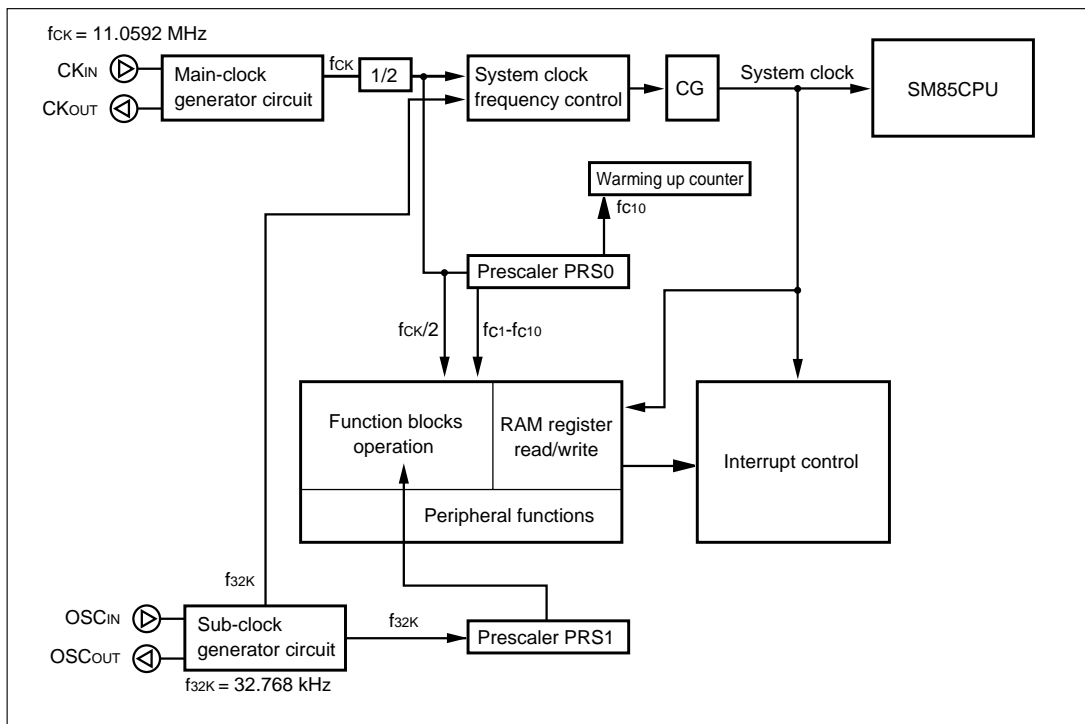


Fig. 7 SM8521 Clock System

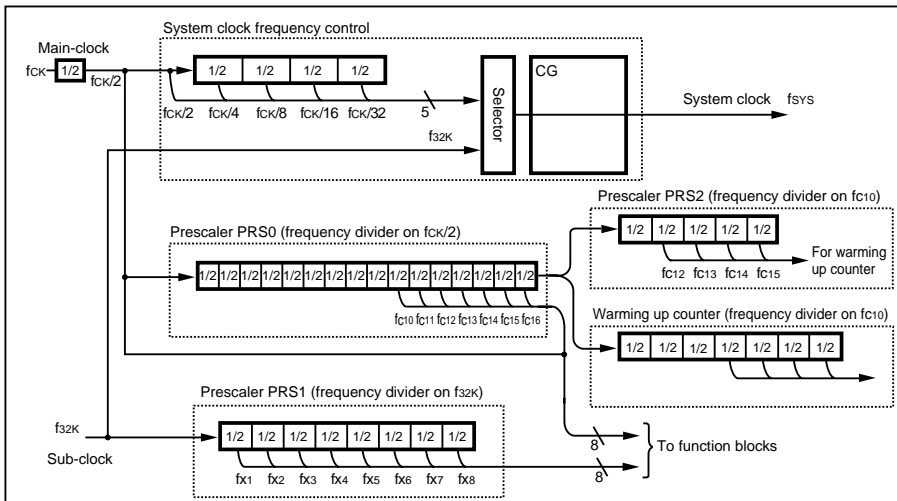
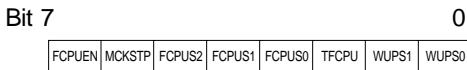


Fig. 8 SM8521 Clock System (Equivalent Circuit for Clock System Peripheral Blocks)

Clock change register (CKKC)

Clock change register CKKC is an 8-bit readable/writable register containing the control of system clock change and the setting of warming up period after waking up from the STOP mode.

Clock change register CKKC is initialized to 00H after hardware reset.



Bit 7 : Clock change enable bit (FCPUEN)

BIT	CONTENT
0	Disables system clock speed change
1	Enables system clock speed change

Bit 6 : Main-clock stopped bit (MCKSTP)

Main-clock stopped allows switching to sub-clock used as system clock.

BIT	CONTENT
0	Main-clock operation
1	Main-clock stop

Bits 5 to 3 : System clock selection bits (FCPUS2-FCPUS0)

Under the bit FCPUEN = '1', if executes the STOP instruction, the bits will be valid.

BIT	SYSTEM CLOCK FREQUENCY
000	System clock = (1/32) x main-clock
001	System clock = (1/16) x main-clock
010	System clock = (1/8) x main-clock
011	System clock = (1/4) x main-clock
100	System clock = (1/2) x main-clock
101, 110	Reserved
111	System clock = (1/2) x sub-clock

Bit 2 : Reserved bit (TFCPU)

Always write '0' to this position. Writing a '1' produces unreliable operation.

Bits 1 to 0 : Warming up selection bits (WUPS1-WUPS10)

The bits are able to set the warming up period of after wake up from STOP mode.

BIT	WARMING UP PERIOD AFTER STOP MODE RELEASES (when main-clock (fck) = 10 MHz)
00	2 ¹⁸ x main-clock period (26.21 ms)
01	2 ¹⁷ x main-clock period (13.10 ms)
10	2 ¹⁶ x main-clock period (6.553 ms)
11	2 ¹⁵ x main-clock period (3.276 ms)

Memory Map

Fig.9 shows the SM8521 memory map.

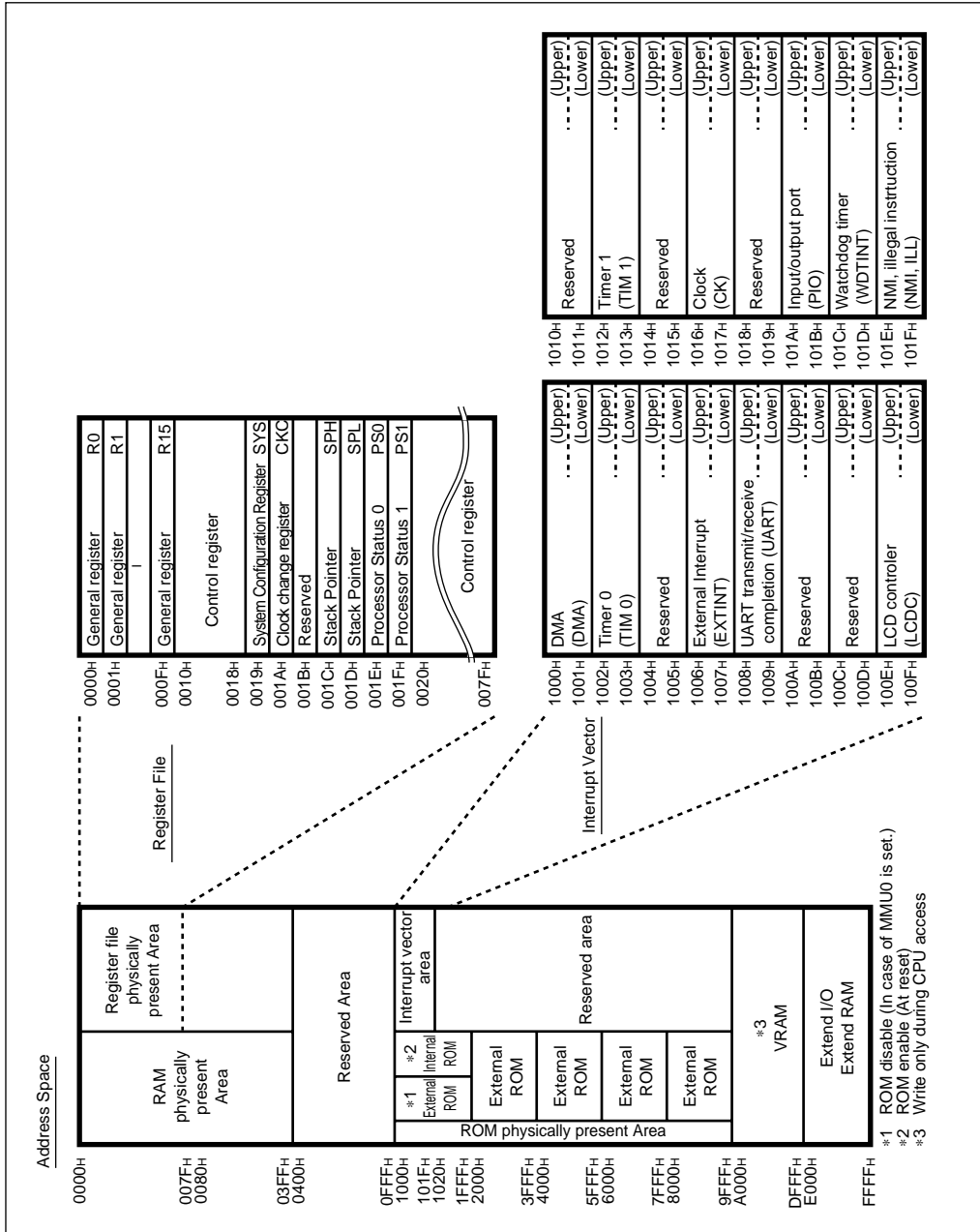


Fig. 9-1 SM8521 Memory Map (1)

Address	Register name		R/W	Initial value	Address	Register name	R/W	Initial value
	Register name	Register name						
0000H	General purpose register R0	RR0	R/W	Undefined	0020H	PIO control register 0	R/W	00h
0001H	General purpose register R1		R/W	Undefined	0021H	PIO control register 1	R/W	00h
0002H	General purpose register R2		R/W	Undefined	0022H	PIO control register 2	R/W	00h
0003H	General purpose register R3	RR2	R/W	Undefined	0023H	PIO control register 3	R/W	00h
0004H	General purpose register R4		R/W	Undefined	0024H	MMU data register 0	R/W	00h
0005H	General purpose register R5	RR4	R/W	Undefined	0025H	MMU data register 1	R/W	00h
0006H	General purpose register R6		R/W	Undefined	0026H	MMU data register 2	R/W	00h
0007H	General purpose register R7	RR6	R/W	Undefined	0027H	MMU data register 3	R/W	00h
0008H	General purpose register R8		R/W	Undefined	0028H	MMU data register 4	R/W	00h
0009H	General purpose register R9	RR8	R/W	Undefined	0029H	Reserved	-	-
000AH	General purpose register R10		R/W	Undefined	002AH	Reserved	-	-
000BH	General purpose register R11	RR10	R/W	Undefined	002BH	UART Transmit data register	W	FFh
000CH	General purpose register R12		R/W	Undefined	002CH	UART Receive data register	R	00h
000DH	General purpose register R13	RR12	R/W	Undefined	002DH	UART Status register	R	0*000010
000EH	General purpose register R14		R/W	Undefined	002EH	UART Control register	R/W	00h
000FH	General purpose register R15	RR14	R/W	Undefined	002FH	Reserved	-	-
0010H	Interrupt enable register 0	IE0	R/W	00h	0030H	Control/Status register	R/W	00h
0011H	Interrupt enable register 1	IE1	R/W	00h	0031H	Display H-timing register	R/W	*0000000
0012H	Interrupt request register 0	IR0	R/W	00h	0032H	Display V-timing register	R/W*1	0*0000000
0013H	Interrupt request register 1	IR1	R/W	00h	0033H	Reserved	-	-
0014H	PIO data register 0	P0	R/W	00h	0034H	Control register	R/W	0*0000000
0015H	PIO data register 1	P1	R/W	00h	0035H	Source X-coordinate register	R/W	00h
0016H	PIO data register 2	P2	R/W	00h	0036H	Source Y-coordinate register	R/W	00h
0017H	PIO data register 3	P3	R/W	00h	0037H	X-width register	R/W	00h
0018H	Reserved		-	-	0038H	Y-width register	R/W	00h
0019H	System configuration register	SYS	R/W	*00000000	0039H	Destination X-coordinate register	R/W	00h
001AH	Clock change register	CKC	R/W	00h	003AH	Destination Y-coordinate register	R/W	00h
001BH	Reserved		-	-	003BH	Pallet register	R/W	00h
001CH	Stack pointer H	SPH	R/W	Undefined	003CH	ROM bank register	R/W	*00000000
001DH	Stack pointer L	SPL	R/W	Undefined	003DH	VRAM page register	R/W	*****00
001EH	Processor status register 0	PS0	R/W	Undefined	003EH	Reserved	-	-
001FH	Processor status register 1	PS1	R/W	*****0	003FH	Reserved	-	-

NOTES :

- RW indicates that there is at least one bit in the register is capable of read/write. (The register indicated by R/W includes the bit of special-purpose register for read). R indicates that the register is only for read.
- * indicates that the corresponding bit is undefined.
- *1 The most significant bit is read only.

Fig. 9-2 SM8521 Memory Map (2)

Address	Register name	R/W	Initial	Address	Register name	R/W	Initial
0040H	SG control register	R/W	0***0000	0060H	SG0 waveform register 0	R/W	Undefined
0041H	Reserved	-	-	0061H	SG0 waveform register 1	R/W	Undefined
0042H	SG0 output level control register	R/W	***00000	0062H	SG0 waveform register 2	R/W	Undefined
0043H	Reserved	-	-	0063H	SG0 waveform register 3	R/W	Undefined
0044H	SG1 output level control register	R/W	***00000	0064H	SG0 waveform register 4	R/W	Undefined
0045H	Reserved	-	-	0065H	SG0 waveform register 5	R/W	Undefined
0046H	SG0 time constant register (High)	R/W	***0000	0066H	SG0 waveform register 6	R/W	Undefined
0047H	SG0 time constant register (Low)	R/W	00H	0067H	SG0 waveform register 7	R/W	Undefined
0048H	SG1 time constant register (High)	R/W	***0000	0068H	SG0 waveform register 8	R/W	Undefined
0049H	SG1 time constant register (Low)	R/W	00H	0069H	SG0 waveform register 9	R/W	Undefined
004AH	SG2 output level control register	R/W	***00000	006AH	SG0 waveform register 10	R/W	Undefined
004BH	Reserved	-	-	006BH	SG0 waveform register 11	R/W	Undefined
004CH	SG2 time constant register (High)	R/W	***0000	006CH	SG0 waveform register 12	R/W	Undefined
004DH	SG2 time constant register (Low)	R/W	00H	006DH	SG0 waveform register 13	R/W	Undefined
004EH	SG-D/A direct output register	W	00H	006EH	SG0 waveform register 14	R/W	Undefined
004FH	Reserved	-	-	006FH	SG0 waveform register 15	R/W	Undefined
0050H	Timer control register 0	R/W	***0000	0070H	SG1 waveform register 0	R/W	Undefined
0051H	Timer data register 0	R/W	00H	0071H	SG1 waveform register 1	R/W	Undefined
0052H	Timer control register 1	R/W	0***0000	0072H	SG1 waveform register 2	R/W	Undefined
0053H	Timer data register 1	R/W	00H	0073H	SG1 waveform register 3	R/W	Undefined
0054H	Clock timer	CLKT *1	00H	0074H	SG1 waveform register 4	R/W	Undefined
0055H	Reserved	-	-	0075H	SG1 waveform register 5	R/W	Undefined
0056H	Reserved	-	-	0076H	SG1 waveform register 6	R/W	Undefined
0057H	Reserved	-	-	0077H	SG1 waveform register 7	R/W	Undefined
0058H	Reserved	-	-	0078H	SG1 waveform register 8	R/W	Undefined
0059H	Reserved	-	-	0079H	SG1 waveform register 9	R/W	Undefined
005AH	Reserved	-	-	007AH	SG1 waveform register 10	R/W	Undefined
005BH	Reserved	-	-	007BH	SG1 waveform register 11	R/W	Undefined
005CH	Reserved	-	-	007CH	SG1 waveform register 12	R/W	Undefined
005DH	Reserved	-	-	007DH	SG1 waveform register 13	R/W	Undefined
005EH	Watchdog timer register	WDT	00H	007EH	SG1 waveform register 14	R/W	Undefined
005FH	Watchdog timer control register	WDTc	38H	007FH	SG1 waveform register 15	R/W	Undefined

NOTES :

- RW indicates that there is at least one bit in the register which is capable of read/write. (The register indicated by R/W includes the bit of special-purpose register for read). R indicates that the register is only for read.
- * indicates that the corresponding bit is undefined.
- *1 Bits 0 to 5 are read only. Bits 6 and 7 are read/write.

Fig. 9-3 SM8521 Memory Map (3)

Hardware Reset

The hardware reset is an initial function for SM8521 system and comes from the following sources.

- **External reset**

If the RESETB pin is applied to Low level in SM8521 operating, the hardware resets.

- **Watchdog timer overflow**

While watchdog timer overflows, the hardware resets.

The above 2 hardware reset sources initialize the system.

OPERATING EXPLANATIONS

- **Hardware reset operation**

When the SM8521 is operating, a built-in pull-up resistor keeps the RESETB pin at High level. If external circuit (like as reset IC etc.) applies Low level voltage to RESETB pin, the SM8521 is reset by hardware after approximately two instruction cycles. To ensure hardware reset execution keeps

the RESETB pin at Low level over two instruction cycles of system clock.

The pin back to High level from Low level starts the warming up counter built-in SM8521. When the counter overflows, about 2^{18} x main-clock leaves its hardware reset state and begins the program execution from the instruction at address 1020H. In the warming up interval, SM8521 is in HALT mode state.

Same as watchdog timer overflow case, the CPU leaves the hardware reset behind warming up period.

Interrupt Function

The SM8521 supports 10 interrupt sources.

In these interrupts, watchdog timer and illegal instruction trap interrupts belong to non-maskable interrupts, the others, however, are maskable interrupts. 10 interrupt sources are shared to independent interrupt vector respectively, in the ROM address area between 1000H-101FH. And, the maskable interrupts are set 8 steps with priority level.

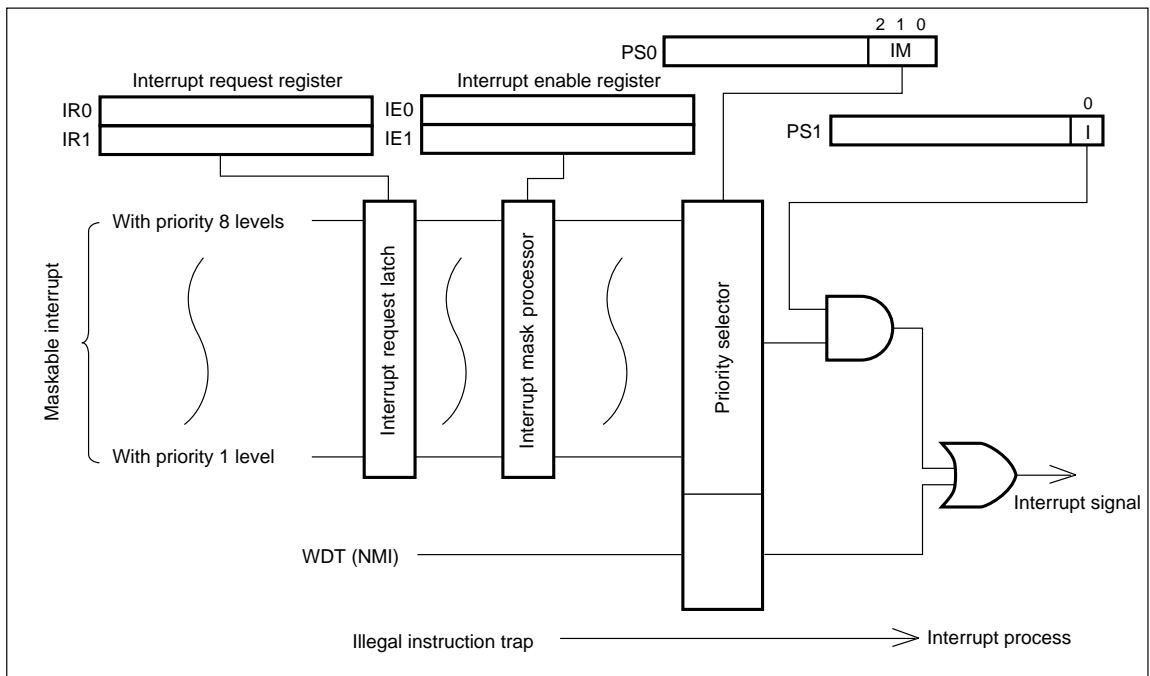


Fig. 10 Interrupt Block Diagram

Table 3 SM8521 Interrupt Vectors Location and Their Priority

VECTOR LOCATION	INTERRUPT SOURCE	SYMBOL	PRIORITY*
1000 _H	DMA	DMAINT	1
1002 _H	Timer 0	TIM0INT	2
1006 _H	External interrupt	EXTINT	3
1008 _H	UART transmit/receive complete	UARTINT	4
100E _H	LCD controller	LCDCINT	5
1012 _H	Timer 1	TIM1INT	6
1016 _H	Clock	CKINT	7
101A _H	Input/output port	PIOINT	8
101C _H	Watchdog timer overflow	WDTINT	–
101E _H	NMI, illegal instruction	NMIINT, ILLINT	–

* The priority levels determine the order in which the chip process simultaneous interrupts. It also denotes the priority level of mask interrupts by setting the bits IM2-IM0 (bits 2-0 : PS0).

REGISTER EXPLANATIONS

PS0 (Interrupt maskbit (IM) of processor status 0)

The bits IM2-IM0 can set the acceptable level for interrupt. The maskable interrupt requested by CPU is set 1 to 8 priority levels. These bits IM2-IM0 determine processing interrupts which priority levels.

Bits 2 to 0 : Interrupt mask bits (IM2-IM0)

BIT	CONTENT
000	All maskable interrupts recognized.
001	All maskable interrupts recognized.
010	Maskable interrupts with 1 to 7 level recognized.
011	Maskable interrupts with 1 to 6 level recognized.
100	Maskable interrupts with 1 to 5 level recognized.
101	Maskable interrupts with 1 to 4 level recognized.
110	Maskable interrupts with 1 to 3 level recognized.
111	Maskable interrupts with 1 to 2 level recognized.

NOTE :

When an interrupt enables by interrupt mask bit, if all interrupt conditions are setup, then the CPU starts to the interrupt processing.

PS1 (Interrupt enable bit (I) of processor status 1)

The bit I (bit 0 : PS1) enables/disables all maskable interrupts. After hardware reset, the bit I is set '0' and so all maskable interrupts are in disable state.

Bit 0 : Interrupt enable (I)

BIT	CONTENT
0	Disables to accept all maskable interrupts
1	Enables to accept maskable interrupt. For each maskable interrupt can be enabled/disabled by interrupt enable register IE0, IE1 and bits IM2-IM0.

Except that write to processor status PS1 directly, the bit I can be set/cleared by the following special-purpose instructions. (Under normal case, the special-purpose instructions are used.)

DI instruction : bit I is set '0'.

EI instruction : bit I is set '1'.

IE0 (Interrupt enable register 0)

The interrupt enable register IE0 is an 8-bit readable/writable register containing the settings for enable/disable to accept interrupt sources.

Bit 7 0

DMA	TIM0	-	EXTINT	UART	-	-	LCDC
-----	------	---	--------	------	---	---	------

Bit 7 : DMA interrupt enable bit

Bit 6 : Timer 0 interrupt enable bit

Bit 5 : Sets '0'.

Bit 4 : External interrupt enable bit

Bit 3 : UART interrupt enable bit

Bits 2 to 1 : Set '0'.

Bit 0 : LCD cotroller interrupt enable bit

BIT	CONTENT
0	Disable
1	Enable

IE1 (Interrupt enable register 1)

The interrupt enable register IE1 is an 8-bit readable/writable register containing the settings for enable/disable to accept interrupt sources.

Bit 7 0

-	TIM1	-	CLK	-	PIO	-	-
---	------	---	-----	---	-----	---	---

Bit 7 : Sets '0'.

Bit 6 : Timer 1 interrupt enable bit

Bit 5 : Sets '0'.

Bit 4 : Clock interrupt enable bit

Bit 3 : Sets '0'.

Bit 2 : PIO interrupt enable bit

Bits 1 to 0 : Set '0'.

BIT	CONTENT
0	Disable
1	Enable

The interrupt enable register IE0 and IE1 are also used to wake up the chip from standby mode (STOP mode, HALT mode) by setting the interrupt to enable. If the interrupt enabled by the interrupt enable register IE0 and IE1 occurs, the chip will wake up from standby mode. But also there are interrupt sources which cannot use to wake up from STOP mode. For more details, refer to "Stand by Function".

IR0 (Interrupt request register 0)

The interrupt request register IR0 is an 8-bit readable/writable register containing the setting for enable/disable to accept interrupt sources.

Bit 7 0

DMA	TIM0	-	EXT	UART	-	-	LCDC
-----	------	---	-----	------	---	---	------

Bit 7 : DMA interrupt request bit

Bit 6 : Timer 0 interrupt request bit

Bit 5 : Sets '0'.

Bit 4 : External interrupt request bit

Bit 3 : UART interrupt request bit

Bit 2 : Sets '0'.

Bit 1 : Sets '0'.

Bit 0 : LCD controller Interrupt Request bit

BIT	CONTENT
0	Disable
1	Enable

IR1 (Interrupt request register 1)

The interrupt request register IR1 is an 8-bit readable/writable register containing the setting for enable/disable to accept interrupt sources.

Bit 7 0

-	TIM1	-	CLK	-	PIO	-	-
---	------	---	-----	---	-----	---	---

Bit 7 : Sets '0'.

Bit 6 : Timer 1 interrupt request bit

Bit 5 : Sets '0'.

Bit 4 : Clock interrupt request bit

Bit 3 : Sets '0'.

Bit 2 : PIO interrupt request bit

Bit 1 to 0 : Set '0'.

BIT	CONTENT
0	Disable
1	Enable

The interrupt request register IR0 and IR1 are also used to wake up the chip from standby mode (STOP mode, HALT mode) by setting the interrupt to enable. If the interrupt enabled by the interrupt request register IR0 and IR1 occurs, the chip will wake up from standby mode. But also there are interrupt sources which cannot use to wake up from STOP mode. For more details, refer to "Standby Function".

Standby Function

The standby function is a function which temporarily stops program execution so as to conserve power. The standby mode is when the chip enters temporary stop state from the operating state, executing program. It contains both STOP and HALT modes, either of which can be selected according to your desires.

If the CPU executes the STOP mode or HALT mode, the chip will switch to standby mode from an operating mode. If the wake up source of the standby mode encounters an interrupt the chip returns to operating mode from the standby mode. Fig. 11 shows its state transition diagram.

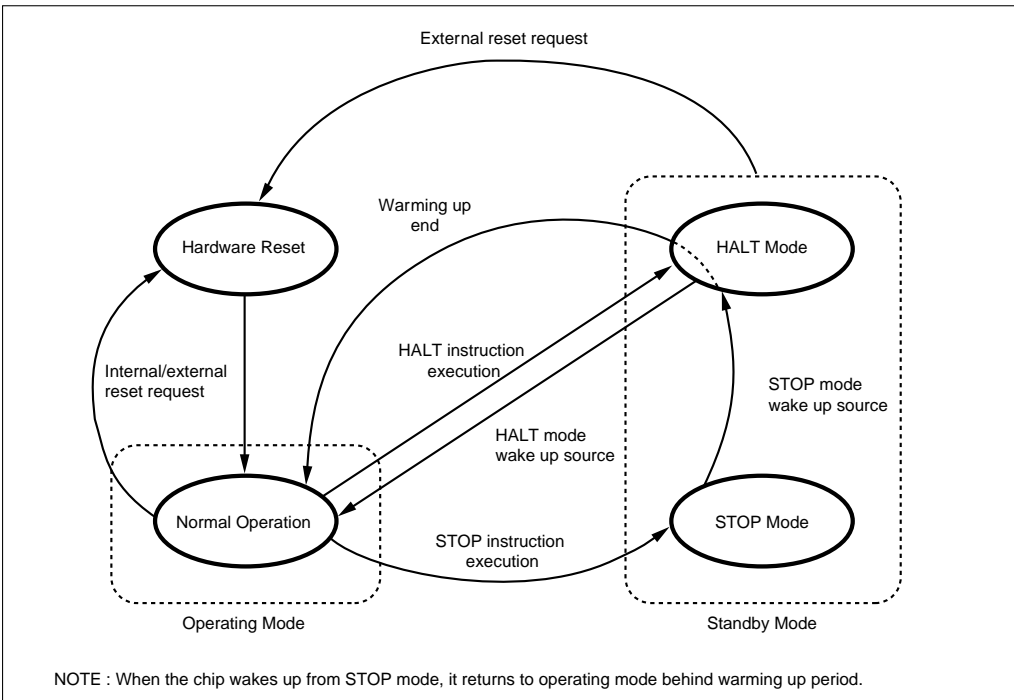


Fig. 11 State Transition Diagram

NOTE :

The STOP instruction is also used for clock change function, which its operation is different from switching the chip to STOP mode, take care to use it.

Table 4 System State at Standby Mode

		HALT MODE	STOP MODE
Transition method		HALT instruction execution	STOP instruction execution
Wake up method		Hardware reset, interrupt	Hardware reset, interrupt*1
Function blocks	CPU	Stop	Stop
	Main-clock	Operating	Stop
	Sub-clock	Operating	Operating
	RAM, register	Remain*2	Remain*2
	I/O port	Remain (interruptable)	Remain (interruptable)
	Timer	Operating	The timer used main-clock as counter clock is stop. It used external clock as counter clock can still operate.
	Capture trigger	Operating	Stop
	UART	Operating	Stop
	LCDC	Operating	Stop
	Waveform generator	Operating	Stop

*1 The interrupts used to wake up the chip from STOP mode only have the external interrupts and the internal interrupts generated by operatable Timer, and SIO.

*2 General registers, control registers, and the other memory content all are remained. But something will be changed for the operatable blocks at STOP mode (for example, interrupt flag register IR0, IR1 content, etc.)

ABOUT HOW TO USE HALT MODE AND STOP MODE

The chip switches back to the operating mode from the HALT mode immediately after the wake up sources are encountered. For this reason, the HALT mode is more suitable for systems that need to be immediately woke up frequently. And, all interrupt sources (other than illegal instruction trap) can wake up the chip from the HALT mode.

Switching back to the operating mode from the STOP mode after the wake up sources are encountered must pass a warming up period. In addition, the function blocks used by the main-clock cannot be used in the wake up from STOP mode. Since the sampling circuit is stopped, it can not accept the PINT₀ input, either.

For this reason, the STOP mode (conserving more power than the HALT mode) is suitable for systems that can easily support the longer time that it will take to get, back to the operating mode (warming up period) .

In standby mode, I/O ports setting and output level for output ports are remained.

Before switches to standby mode, in order to reduce to the current through every pins, set with program.

I/O PORTS

The SM8521 supports four 8-bit I/O ports. Each port can be selected one out of input, output, input with built-in pull-up resistor and open-drain in each 2-bit.

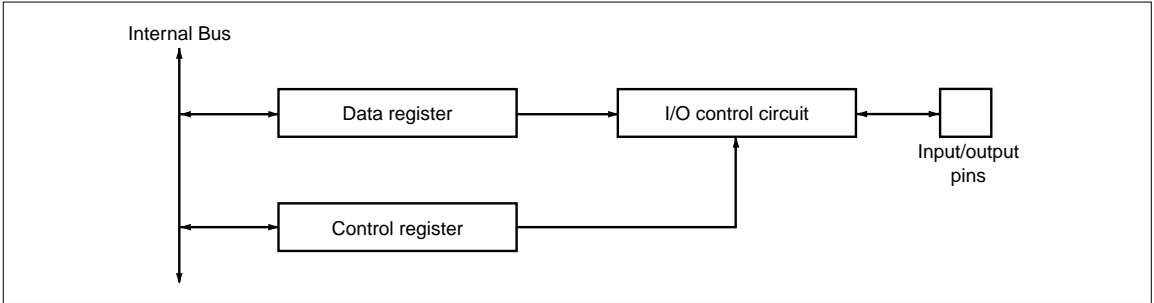
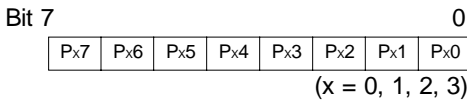


Fig. 12 PIO Block Diagram

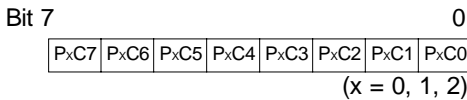
P0 to P3 (PIO data register)



NOTE :

In case of reading P0-P3 register on condition that control register is input state, data of those pins is read. In case of on condition that control register is output state, data of register is read.

P0C to P2C (PIO control register)



Bits 3 to 2 :

BIT	CONTENT
00	Input
01	Input (with pull-up resistor)
10	Output
11	Output (open-drain)

Bits 1 to 0 :

BIT	CONTENT
00	Input
01	Input (with pull-up resistor)
10	Output
11	Output (open-drain)

Bits 7 to 6 :

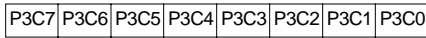
BIT	CONTENT
00	Input
01	Input (with pull-up resistor)
10	Output
11	Output (open-drain)

Bits 5 to 4 :

BIT	CONTENT
00	Input
01	Input (with pull-up resistor)
10	Output
11	Output (open-drain)

P3C (Control register)

Bit 7 0



Bits 7 to 6 :

BIT	CONTENT
00	Input
01	Input (with pull-up resistor)
10	Output/(Timer 1 clock outputs through P3 ₇)
11	Output/(Timer 1 clock outputs through P3 ₇)

Bits 5 to 4 :

BIT	CONTENT
00	Input
01	Input (with pull-up resistor)
10	Output
11	Output (open-drain)

Bits 3 to 2 :

BIT	CONTENT
00	Input
01	Input (with pull-up resistor)
10	Output
11	Output (open-drain)

Bits 1 to 0 :

BIT	CONTENT
00	Input
01	Input (with pull-up resistor)
10	Output
11	Output (open-drain)

TIMER/COUNTERS

The SM8521 supports 8-bit timer x 2, and clock timer x 1. One out of 8-bit prescaler output can be selected as an 8-bit timer input.

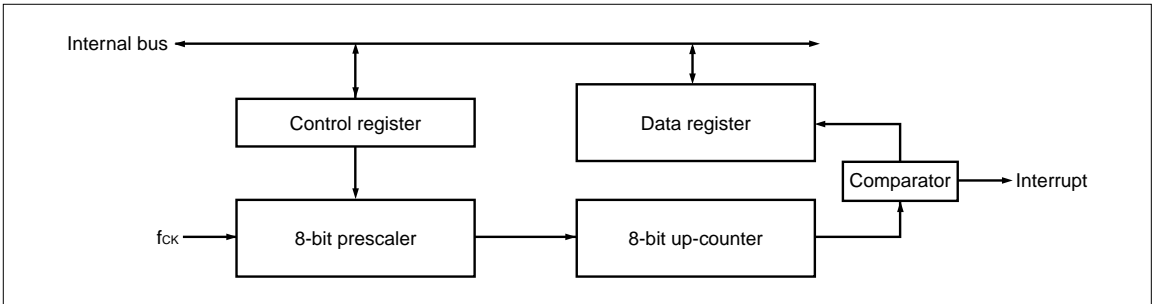
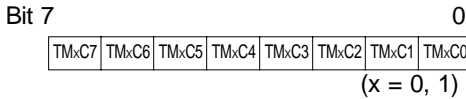


Fig. 13 8-Bit Timer Block Diagram

8-BIT TIMER REGISTER

TM0C, TM1C (Control registers)



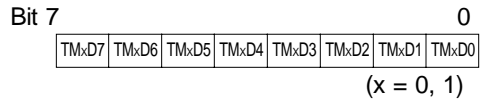
Bit 7 : Start/stop

Bits 6 to 3 : Set '0'

Bits 2 to 0 :

PRESCALER	INPUT CLOCK FOR 8-BIT UP-COUNTER
000	$f_{ck}/2$
001	$f_{ck}/1\ 024$
010	$f_{ck}/2\ 048$
011	$f_{ck}/4\ 096$
100	$f_{ck}/8\ 192$
101	$f_{ck}/16\ 384$
110	$f_{ck}/32\ 768$
111	$f_{ck}/65\ 536$

TM0D, TM1D (Data register)



Bits 7 to 0 : Content of counter (read), time constant (write)

NOTES :

- After reset, the status of both TM0C and TM1C becomes 0***000B, and both TM0D and TM1D becomes 00000000B.
- Every time between the value of 8-bit up counter and the value of time constant register coincide in timer execution, output signal inverts.

Clock Timer

Clock timer is for real time clock. Dividing sub-clock (32.768 kHz), 1 s or 1 min interrupt occurs.

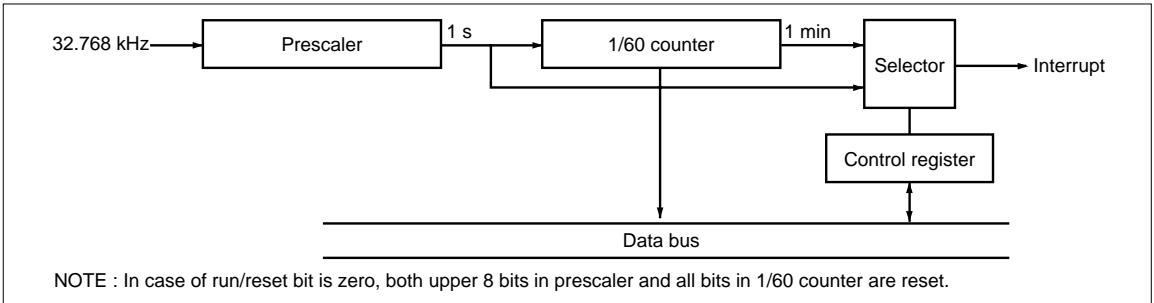
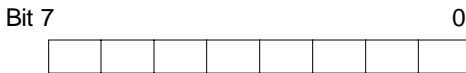


Fig. 14 Clock Timer Block Diagram

CLOCK TIMER REGISTER

CLKT (Clock timer register)



Bit 7 : Run/reset

BIT	STATUS
0	Counter reset
1	Run

Bit 6 : Minute/second

BIT	STATUS
0	1 second
1	1 minute

Bits 5 to 0 : Value of counter (read only)

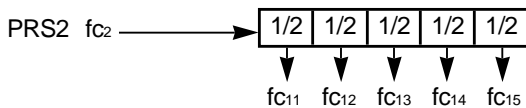
Watchdog Timer Register (WDT)

PRS2 (Prescaler 2)

Prescaler PRS2 generates the count clock to watchdog timer counter WDT.

The following conditions are to clear all bits of prescaler PRS2.

- When hardware reset.
- When watchdog timer counter WDT stopped.
- When counter WDT is cleared by writing '1' to the bit WDTCR (bit 3 : WDTC).



Prescaler PRS2 divides the frequency derived from input clock f_{c10} (204.8 μ s : main-clock = 10 MHz), then f_{c11} - f_{c15} are output.

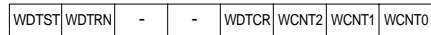
WDT (Watchdog timer counter register)

Watchdog timer counter WDT is an 8-bit read only register which counts up from input clock.

WDTC (Watchdog timer control register)

Watchdog timer control WDTC is an 8-bit read only register which sets watchdog timer to start/stop, counter clear designation, and selects the count clock.

Bit 7 0



Bit 7 : Watchdog timer start/stop bit (WDTST)

BIT	CONTENT
0	Timer stop [WDT is cleared.]
1	Timer start

Bit 6 : Operation select while watchdog timer overflow (WDTRN)

BIT	CONTENT
0	Hardware reset
1	Non-maskable interrupt

Bits 5 to 4 : set '0'.

Bit 3 : Counter clear bit (WDTCR) [write only bit]

BIT	CONTENT
0	No clear
1	Only in writing operation, WDT is cleared.

Bits 2 to 0 : Watchdog timer counter clock selection bits (WCNT2-WCNT0)

BIT	COUNT CLOCK
000	f_{c12} (819 μ s ^{*1})
001	f_{c13} (1.639 ms ^{*1})
010	f_{c14} (3.278 ms ^{*1})
011	f_{c15} (6.578 ms ^{*1})
100	f_{x5} (0.976 ms ^{*2})
101	f_{x6} (1.95 ms ^{*2})
110	f_{x7} (3.90 ms ^{*2})
111	f_{x8} (7.81 ms ^{*2})

*1 The value in () is the period when main-clock is 10 MHz.

*2 The value in () is the period when sub-clock is 32.768 kHz.

LCDC/DMA

The SM8521 supports LCD controller (LCDC) to control LCD panel, in a kind of dot matrix, which is required external LCD drivers.

LCDC transfers display data in the external VRAM to the LCD driver. The SM8521 supports a DMA, which can transfer the data at the High speed,

between ROM and VRAM, VRAM and VRAM, and external RAM and VRAM, without through the CPU.

DMA transfers display data in the ROM and external RAM to VRAM.

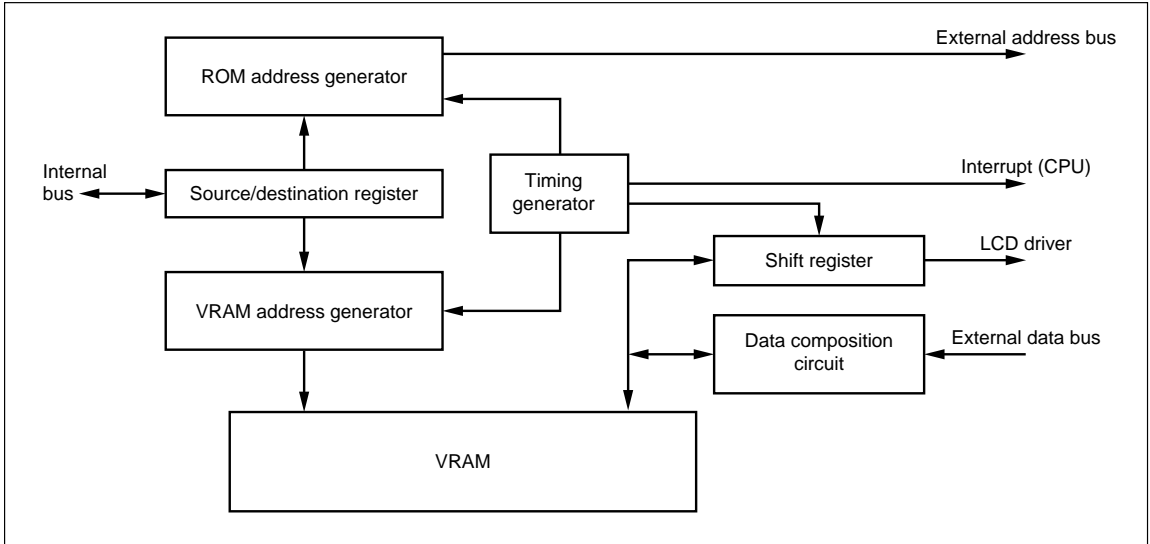


Fig. 15 LCD/DMA Block Diagram

VRAM Configuration

VRAM configuration is shown below.

VRAM, maximum 16 k bytes (160 x 200-dot x 2-phase or 200 x 160-dot x 2-plane), can be accessed. LCD displays a phase specified.

Address of VRAM0 and VRAM1 is A000_H-BFFF_H and C000_H-DFFF_H respectively.

DMA transfers rectangle display data, in arbitrary size specified in ROM and external RAM, to VRAM.

NOTE :

Do not write data directly to VRAM while transferring data to LCD driver (MSB of LCC register is 1 and V-blank flag is 0).

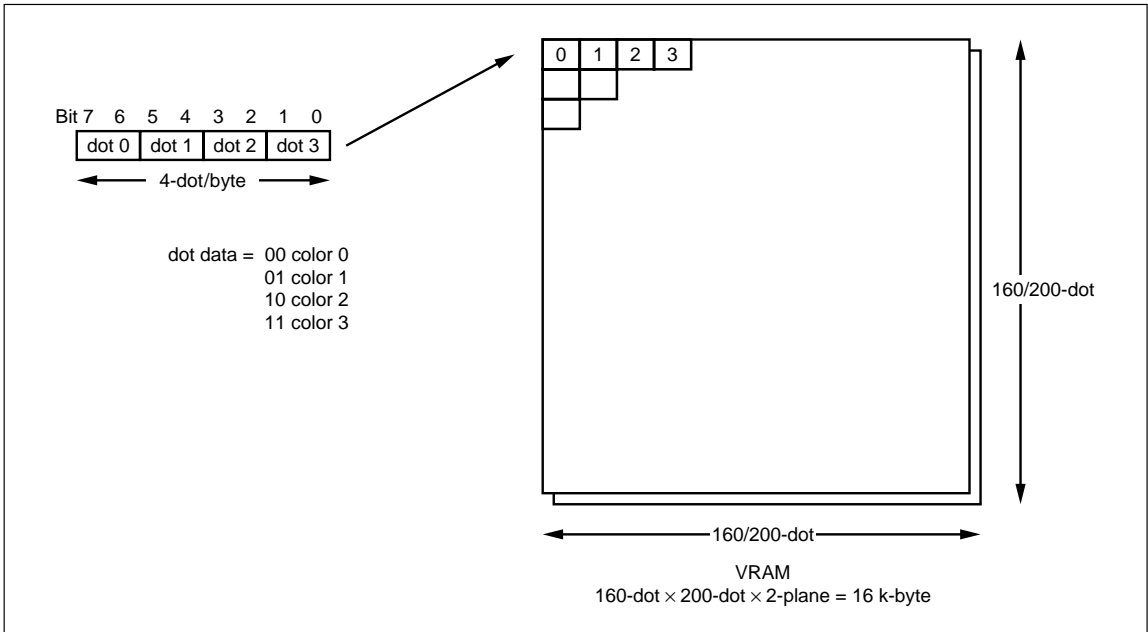
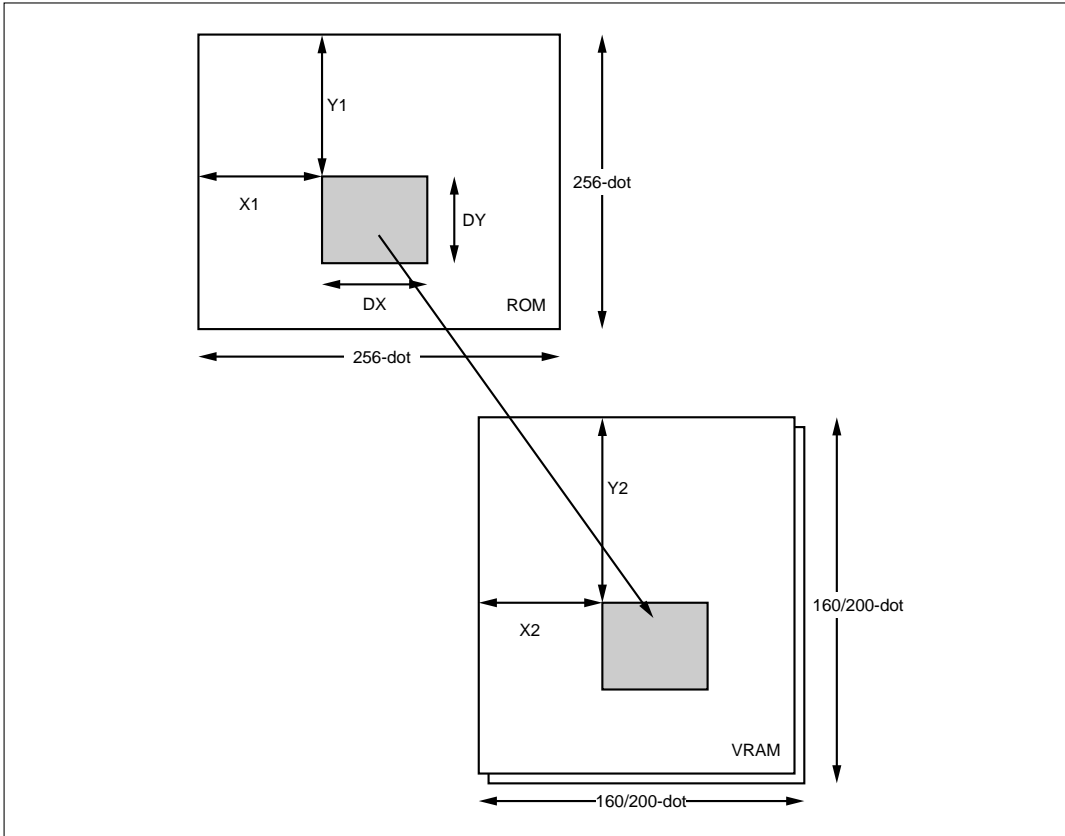


Fig. 16 VRAM Configuration

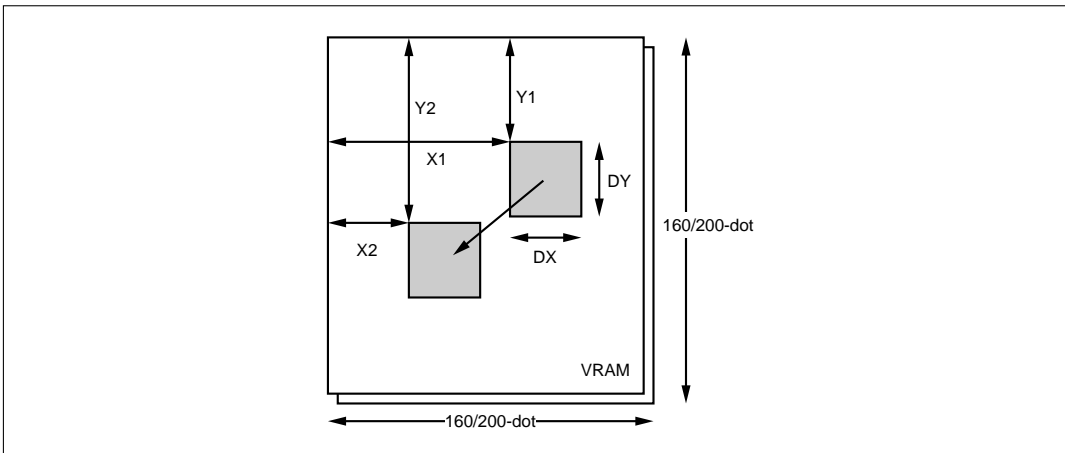
DMA Transfer

- ROM to VRAM transfer mode



Also, transfers between VRAMs.

- VRAM to VRAM transfer mode



Compound and Overwrite Mode

To transfer display data, DMA provides two modes. One is compound mode that source dot data zero is not stored into the destination. Second is

overwrite mode that any dot data is stored into the destination.

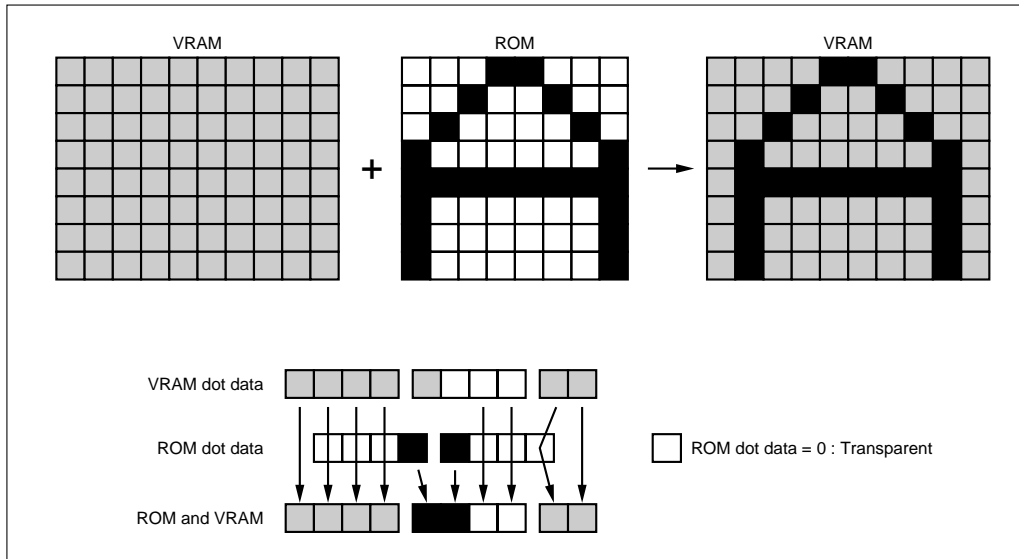


Fig. 17 An Example of Transfer ROM to VRAM in Compound Mode

Registers

LCDC/DMA registers are shown below. LCDC register is initialized at the system initialization. After setting each parameter, set the DMA start bit to '1' and execute HALT instruction, then DMA transfer starts.

LCC (LCD control/status register)

Bit 7 0

DISON	DISPG	GRAD1	GRAD0	LCCL2	LCCL1	LCCL0	NORWH
-------	-------	-------	-------	-------	-------	-------	-------

Bit 7 : Display ON/OFF

BIT	DISPLAY ON/OFF
0	Display OFF
1	Display ON

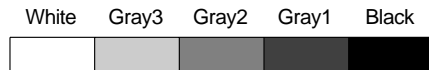
Bit 6 : Display page A/B bit

BIT	DISPLAY PAGE
0	Page A
1	Page B

Bits 5 to 4 : Gradation control bits
(Depth of black and white on real LCD)

BIT	GRADATION CHOSEN			
00	0: Black	1: Gray 1	2: Gray 2	3: White
01	0: Black	1: Gray 1	2: Gray 3	3: White
10	Reserved			
11	0: Black	1: Gray 2	2: Gray 3	3: White

NOTE : Gray scale



Bits 3 to 1 : LCDC/DMA clock bits

BIT	LCDC/DMA CLOCK
000	f _{ck} /2
001	f _{ck} /4
010	f _{ck} /6
011	f _{ck} /8
100	f _{ck} /10
101	f _{ck} /12
110	f _{ck} /14
111	f _{ck} /16

Bit 0 : Normal white bar bit

BIT	STATUS
0	Normal white
1	Normal black

LCH (Display horizontal timing register)

Bit 7 0

-	-	HDOT	HTIM4	HTIM3	HTIM2	HTIM1	HTIM0
---	---	------	-------	-------	-------	-------	-------

Bits 7 to 6 : Set '0'.

Bit 5 : H-dot size bit

BIT	HORIZONTAL DOT SIZE
0	160
1	200

Bits 4 to 0 : H-timing bits

NOTE :

V-blank width bit must not be filled with 0000B. Otherwise, LCDC interrupt can not be effective.

Horizontal display cycle = (shift clock x LCDC/DMA clock) x (H-timing + 1)

Shift clock = 40 (at H-dot size = 160),
50 (at H-dot size = 200)

Frame cycle = Horizontal display cycle x (V-line size + V-blank width)

LCV (Display vertical timing register)

Bit 7 0

VBLNK	-	VL1	VLO	VBWD3	VBWD2	VBWD1	VBWD0
-------	---	-----	-----	-------	-------	-------	-------

Bit 7 : V-blank bit (read only)

BIT	STATUS
0	Non-vertical blank period
1	Vertical blank period

Bit 6 : Sets '0'.

Bits 5 to 4 : V-line size bits

BIT	VERTICAL LINE SIZE
00	100
01	160
10	200

Bits 4 to 0 : V-blank width bits

NOTE :

V-blank width bit must not be filled with 0000B. Otherwise, LCDC interrupt can not be effective.

Horizontal display cycle = (shift clock x LCDC/DMA clock) x (H-timing + 1)

Shift clock = 40 (at H-dot size = 160),
50 (at H-dot size = 200)

Frame cycle = Horizontal display cycle x (V-line size + V-blank width)

DMC (DMA control register)

Bit 7 0

DMST	-	-	INDCY	INDCX	TRN1	TRN0	COOvr
------	---	---	-------	-------	------	------	-------

Bit 7 : DMA start bit

BIT	STATUS
0	DMA stops
1	DMA starts transferring data

Bits 6 to 5 : Set '0'.

Bit 4 : Increment y/decrement y bit
(Increment/decrement y-coordinate of source)

BIT	STATUS
0	Increment y
1	Decrement y

Bit 3 : Increment x/decrement x bit
(Increment/decrement x-coordinate of source)

BIT	STATUS
0	Increment x
1	Decrement x

Bits 2 to 1 : Transfer mode bits

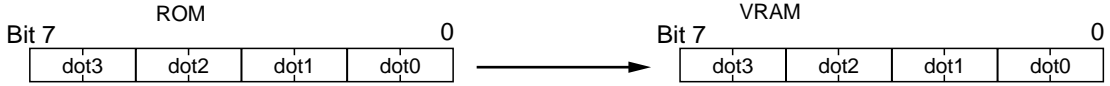
BIT	SOURCE→DESTINATION
00	VRAM→VRAM
01	ROM→VRAM
10	Extend RAM→VRAM
11	VRAM→Extend RAM

Bit 0 : Compound/overwrite bit

BIT	STATUS
0	Compound mode
1	Overwrite mode

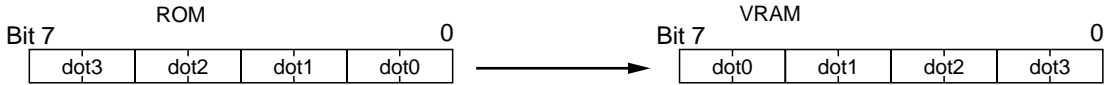
How to overturn a character in right and left.
 4-dot data is transferred as a unit, from ROM to VRAM or VRAM to VRAM. ROM is composed of 8

bits.
 In case of "Increment x" is effective, 8-bit data is transferred as shown below.



On the other hand, in case of "Decrement x" is effective, 8-bit data is transferred as shown below.

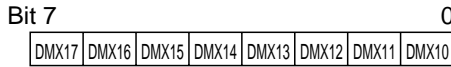
In each 4-dot data is automatically swapped in right and left.



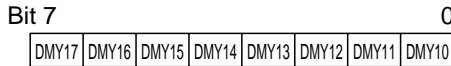
Position of all specified dots, maximum 256, is overturned with right and left in horizontal. The

heart of their X coordinates becomes an axis of symmetry.

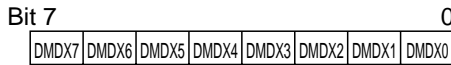
DMX1 (Source X-coordinate register)



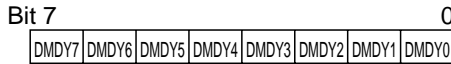
DMY1 (Source Y-coordinate register)



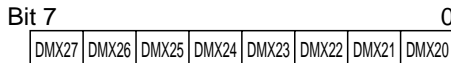
DMDX (X-width register (X-width-1))



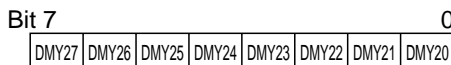
DMDY (Y-width register (Y-width-1))



DMX2 (Destination X-coordinate register)

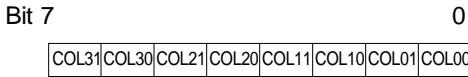


DMY2 (Destination Y-coordinate register)



DMPL (Pallet register)

DMPL register specifies gradation to dot data. When transferring, gradation data concerned with dot data of the DMPL register is stored to VRAM.



Bits 7 to 6 : Dot data color 0

Bits 5 to 4 : Dot data color 1

Bits 3 to 2 : Dot data color 2

Bits 1 to 0 : Dot data color 3

Example :

When dot data color 2 (10B) is specified under the status of the DMPL register filled with **01****B, bit 4 and 5 of the DMPL register are automatically selected. Dot data changes from color 2 (10B) to color 1 (01B). Then the dot data color 1 moves to specified VRAM.

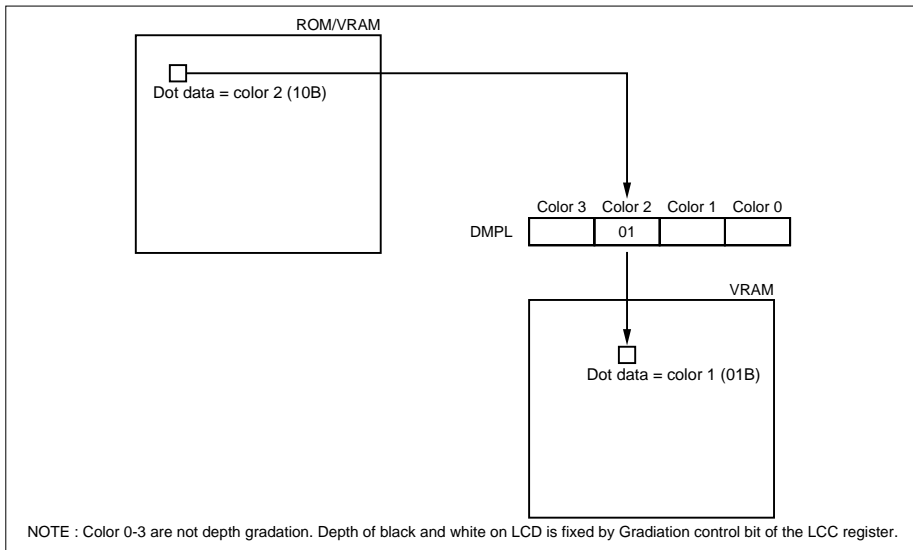


Fig. 18 How to Select Gradations

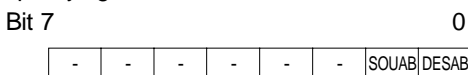
DMBR (ROM bank register)

DMBR register specifies ROM's bank being transferred. (Organization of bank is 256 x 256 dots. Bank specifies external memory address irrespective of MMU.)



DMVP(DMVP register)

DMVP register specifies a page (VRAM) in case of specifying VRAM to source and destination.



Bits 7 to 2 : Set '0'.

Bit 1 : Destination page A/B

BIT	CONTENT
0	Destination page A
1	Destination page B

Bit 0 : Source page A/B

BIT	CONTENT
0	Source page A
1	Source page B

SOUND GENERATOR

The SM8521 supports two waveform generators concerning arbitrary waveform output channel and one noise generator channel. After each channel's

signal is amplified through each variable register, a digital mixer mixes them into one and D/A outputs it.

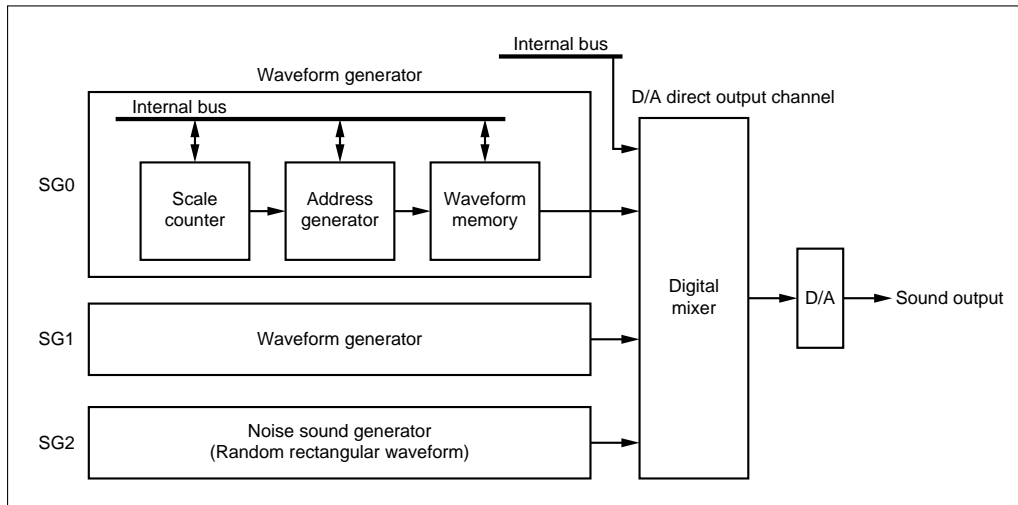


Fig. 19 Sound Generator Block Diagram

• Waveform generator

The data, 4-bit x 32 steps, stored in the waveform register (SGW0-15) is output at the timing of FCK (main clock) divided by time constant register.

• Digital mixer

4-bit data generated from each generator is expanded to sixteen times as large as original 4-bit data. Those expanded data is added to one another after passing through digital attenuator (0, 1/32, 2/32, 31/32) of which attenuation rate is specified by output level control register.

NOTE :

Attention to the sum total of each sound generator, not exceeding capacity of digital mixer.

• Noise sound register

False noise, of which maximum frequency is based on cycle divided FCK (main clock) by time constant register, is output.

• D/A direct output register (in digital mixer)

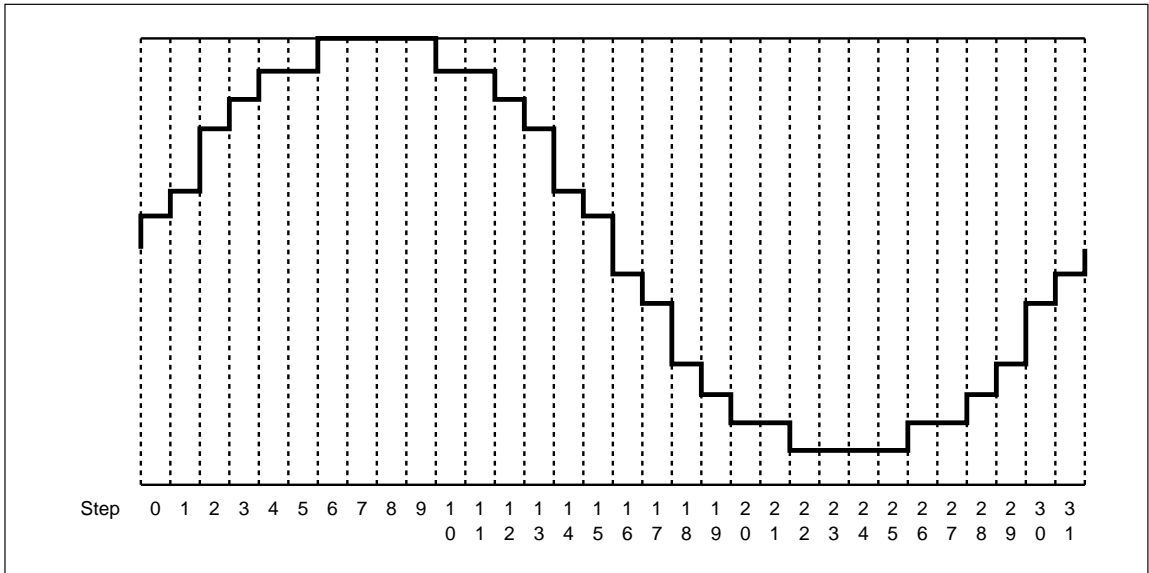
When all sound generator 0, 1 and 2 are disable, the data stored in this register is directly effective as D/A input, provided that the data is stored in the SGDA register and both sound output enable register and D/A direct output enable registers are set.

NOTE :

All 12 bits of each SG0, SG1 and SG2 must not be filled with 0. If all 12 bits become 0, D/A can not perform correct output.

Sound Waveform Register

Sound waveform generator can outputs 16-tone wedge and 32-step sign waveform as shown below.



NOTE :

A period of one step is variable based on the value of Time constant register (SG0, SG1 and SG2 composed of 12 bits). The period can be lead from the formula shown below.

$$\text{Period} = f_{ck}(n-1)$$

Period : Time of one step

f_{ck} : System oscillation frequency

n : Value of Time constant register

In order of Low and High, each 4-bit data is specified. Each SG0 and SG1 waveform register stores 4-bit x 32-step data as shown below.

Refer to SG0 and SG1 waveform registers in Fig. 9-3.

The most significant bit of each 4-bit data indicates

positive and negative.

That means, range of each 4-bit data is -8 to +7.

NOTE :

Waveform register read/write is possible only when SG is disable.

	7	4	3	0
0	STEP1		STEP0	
1	STEP3		STEP2	
2	STEP5		STEP4	
3	STEP7		STEP6	
4	STEP9		STEP8	
5	STEP11		STEP10	
6	STEP13		STEP12	
7	STEP15		STEP14	
8	STEP17		STEP16	
9	STEP19		STEP18	
A	STEP21		STEP20	
B	STEP23		STEP22	
C	STEP25		STEP24	
D	STEP27		STEP26	
E	STEP29		STEP28	
F	STEP31		STEP30	

Fig. 20 Sound Waveform Register

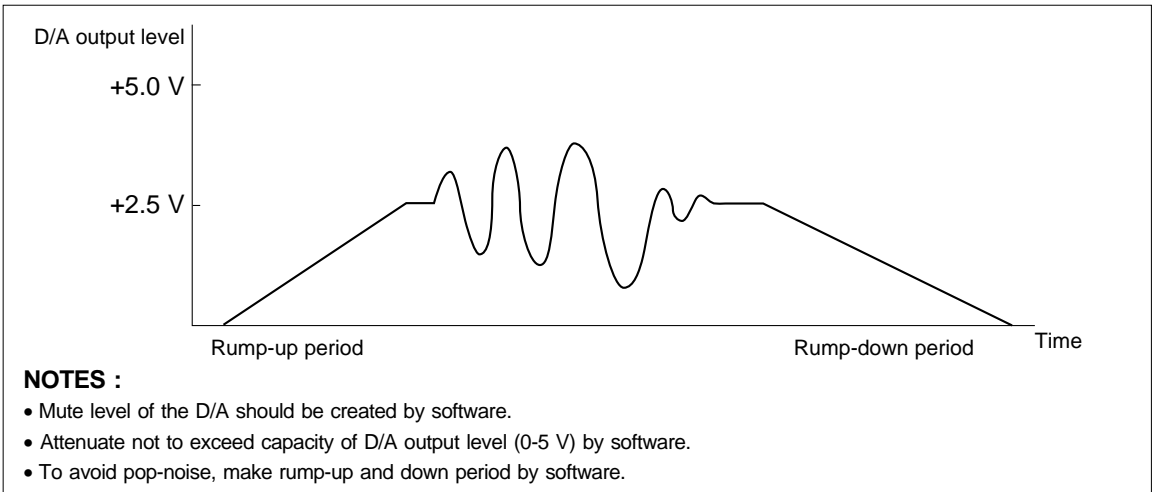


Fig. 21 Example of D/A Output

Registers

SGC (Control register)

Bit 7								0
	SONDOUT	-	-	-	DIROUT	SG2OUT	SG1OUT	SG0OUT

Bits 7 : Sound output enable

Bits 6 to 4 : Set '0'.

Bit 3 : D/A direct output enable

Bit 2 : SG2 output enable

Bit 1 : SG1 output enable

Bit 0 : SG0 output enable

SG0L, SG1L (Output level control register ; 0, 1/32, 2/32...31/32)

Bit 7								0
	-	-	-	SGxL4	SGxL3	SGxL2	SGxL1	SGxL0

(x = 0, 1)

The value of output level control register decides the digital attention rate.

SG0TL, SG1TL (Time constant register ; Low)

Bit 7								0
	SGxTL7	SGxTL6	SGxTL5	SGxTL4	SGxTL3	SGxTL2	SGxTL1	SGxTL0

(x = 0, 1)

SG0TH, SG1TH (Time constant register ; High)

Bit 7								0
	-	-	-	-	SGxTH3	SGxTH2	SGxTH1	SGxTH0

(x = 0, 1)

Bits 7 to 4 : Set '0'.

A period of one step is variable based on the value of Time constant register (SG0TL, SG0TH, SG1TL and SG1TH composed of 12 bits.)

SG0W0-15, SG1W0-15 (Waveform register 0-15)

Bit 7															0
	SGxWy7	SGxWy6	SGxWy5	SGxWy4	SGxWy3	SGxWy2	SGxWy1	SGxWy0							

(x = 0, 1)(y = 0 to 15)

Bits 7 to 4 : Waveform data Low order

Bits 3 to 0 : Waveform data High order

SG2L (Output level control register ; 0, 1/32, 2/32...31/32)

Bit 7									0
	-	-	-	SG2L4	SG2L3	SG2L2	SG2L1	SG2L0	

Bits 7 to 5 : Set '0'.

The value of output level control register decides the digital attention rate.

SG2TL (Time constant register ; Low)

Bit 7								0
	SG2TL7	SG2TL6	SG2TL5	SG2TL4	SG2TL3	SG2TL2	SG2TL1	SG2TL0

SG2TH (Time constant register ; High)

Bit 7								0
	-	-	-	-	SG2TH3	SG2TH2	SG2TH1	SG2TH0

Bits 7 to 4 : Set '0'.

A period of one step is variable based on the value of Time constant register (SG2TL and SG2TH composed of 12 bits).

SGDA (D/A direct output register ; write only)

Bit 7								0
	SGDA7	SGDA6	SGDA5	SGDA4	SGDA3	SGDA2	SGDA1	SGDA0

The value of SGDA register directly transfers digital mixer.

NOTES :

- Time constant register must be written by "MOVW" instruction.
- Each time constant register must not be filled with all "0" or only the Low significant bit is "1".

MMU

The SM8521 supports an MMU used to external memory area expansion.

Memory area 1000H-9FFFH, can be expanded to 2M-byte in each 8k-byte unit.

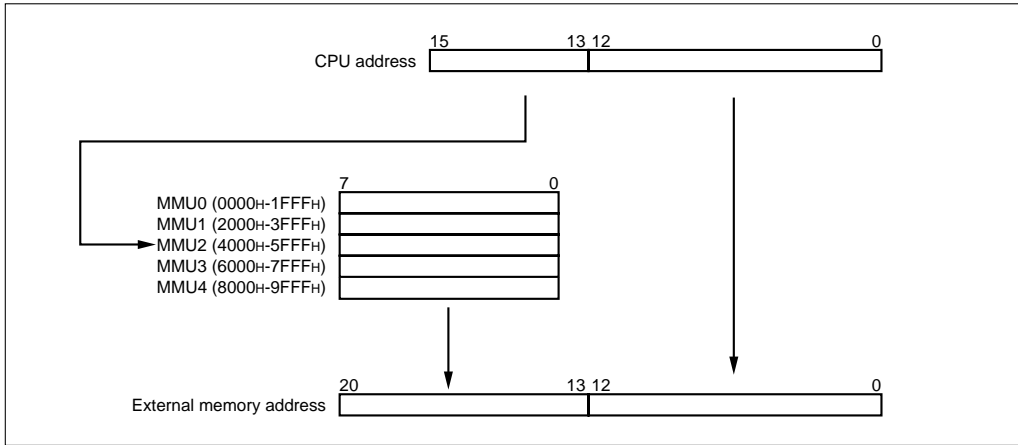


Fig. 22 An Example of MMU Switching Flow and Mapping

MMUx is selected depends on CPU address.

NOTE :

CPU can not access lower 4 k-byte of MMU0 because of occupied by internal RAM and register file. On the other hand, each 8 k-byte of external ROM is accessible as DMA's address.

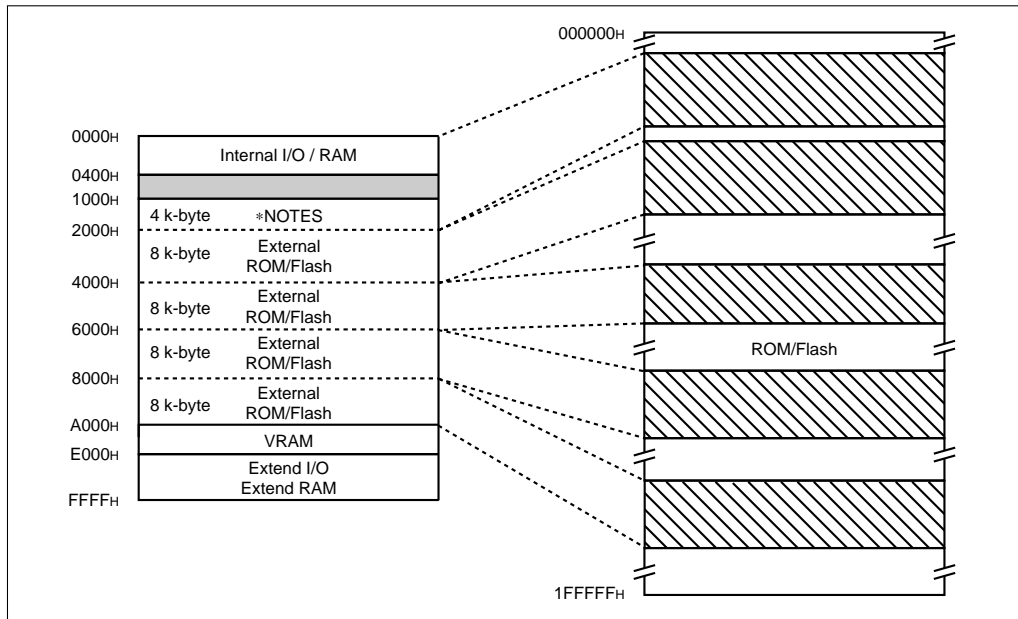


Fig. 23 MMU Mapping

NOTES :

- At reset, MMU0 is disable and internal ROM is enable. (1000H-1FFFH). At setting data into MMU0 once, internal ROM becomes disable and MMU0 becomes enable.
- In case of changing to external ROM mode by putting some data into MMU register, use Immediate R in "MOV"

instruction (MOV R, r or MOV R, R). Data in the next internal ROM address will be fetched at the same time of executing the instruction. Only one byte instruction can be followed when setting data to MMU0 register.

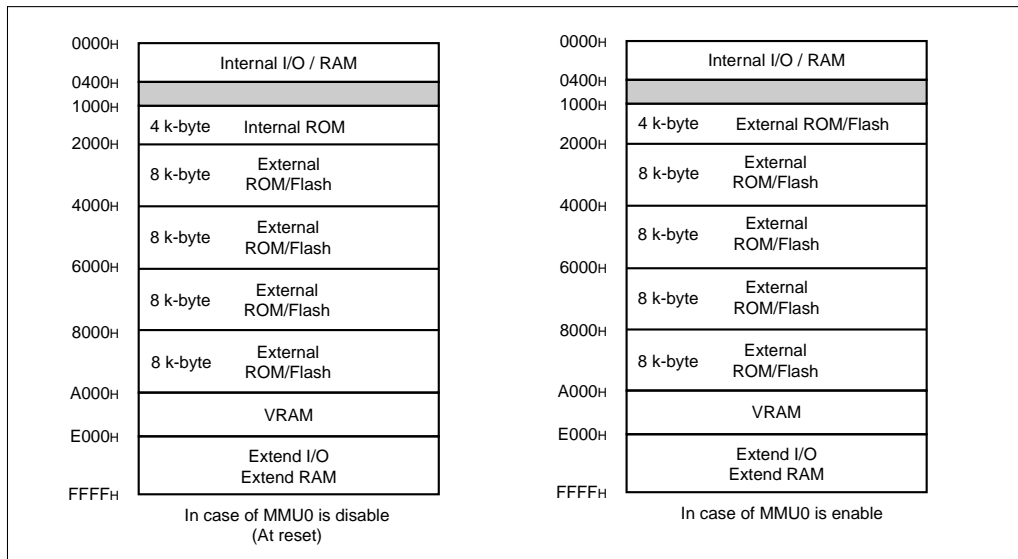


Fig. 24 Comparison Figure MMU 0 between Disable and Enable

UNIVERSAL ASYNCHRONOUS RECEIVER AND TRANSMITTER (UART) INTERFACE

SM8521 supports 1-channel universal asynchronous receiver and transmitter interface (UART) .

The UART interrupt has the following features.

- Transmitter and receiver are independent each other, full duplex communication possible.
- Receiver is consisted of duplex buffer, able to receive data continuously.
- The dedicated register for baud rate generator is built-in.

• It is possible to choose transfer format as following.

- Stop bit : 1-bit/2-bit
- Parity bit : even parity/odd parity/no parity

• Receive error can be detected.

- Frame error
- Parity error
- Overrun error

NOTE :

UART baud rate is fixed at [Timer 0 output/32]. Regarding Timer 0, refer to "8-Bit Timer Register TM0C".

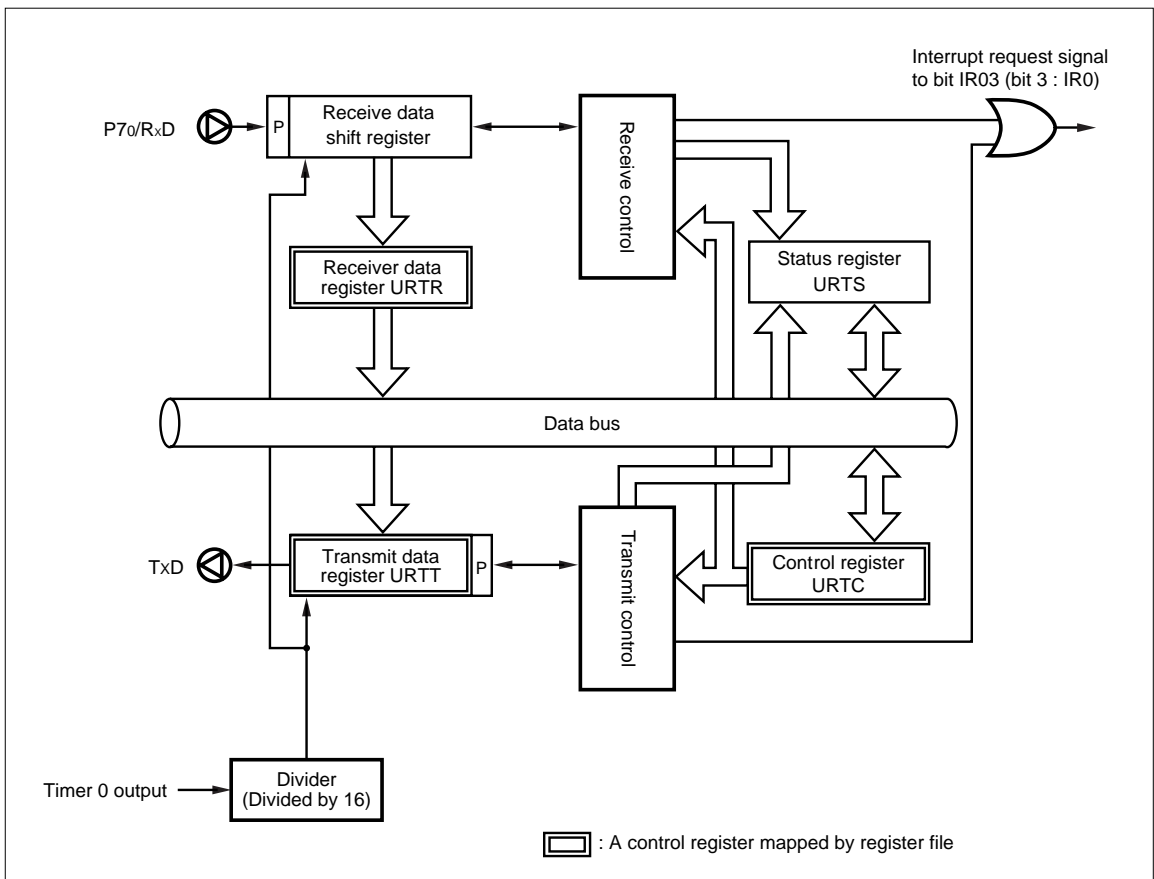


Fig. 25 UART Block Diagram

UART Transmit Data Register (URTT)

Transmit data register URTT is an 8-bit write only register which stores the UART transmit data.

When the transmission operation starts, the content of this register LSB first is output from P7₁/TxD pin.

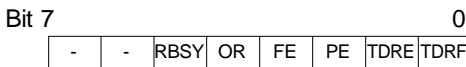
UART Receive Data Register (URTR)

Receive data register URTR is an 8-bit read only register which stores the UART receive data.

When the receive operation starts, the receive data LSB first will be moved into the receive data shift register from P7₀/RxD pin. Once the receive operation is complete, the content of the receive data shift register is loaded into this receive data register URTR (duplex buffer).

UART Status Register (URTS)

Status register (URTS) is an 8-bit read only register containing the flags of the UART interface transmit/receive status.



Bits 7 to 6 : Set '0'

Bit 5 : Receiver busy bit (RBSY)

BIT	CONTENT
0	UART receiver is other than the following.
1	UART receiver processing incoming data.

Bit 4 : Overrun error bit (OR)

BIT	CONTENT
0	Clear condition (1) While reading the status register URTS (2) Hardware reset
1	Set condition (1) While overrun error occurs (the next receive is complete under the bit RDRF = '1'.) at receive data

Bit 3 : Frame error bit (FE)

BIT	CONTENT
0	Clear condition (1) While reading the status register URTS (2) Hardware reset
1	Set condition (1) While frame error occurs (stop bit = '0' is detected.) at receive data.

Bit 2 : Parity error bit (PE)

BIT	CONTENT
0	Clear condition (1) While reading the status register URTS (2) Hardware reset
1	Set condition (1) Parity error occurs at receive data

Bit 1 : Transmit data register empty bit (TDRE)

BIT	CONTENT
0	Clear condition (1) While writing to transmit data register URTT
1	Set condition (1) While having finished transmitting operation. (2) Hardware reset

Bit 0 : Receiver data register full bit (RDRF)

BIT	CONTENT
0	Clear condition (1) While reading from receive data register URTR (2) Hardware reset
1	Set condition (1) While receive data is transferring to receive data register URTR from receive data shift register.

UART Control Register (URTC)

Control register URTC is an 8-bit readable/writable register specifying transfer format setting and transmit/receive operation controlling.

Bit 7 0

-	-	-	TE	RE	PEN	EOP	SBL
---	---	---	----	----	-----	-----	-----

Bits 7 to 5 : Set '0'.

Bit 4 : Transmit enable bit (TE)

Setting the bit TE to '1', starts the built-in baud rate generator and the interface enters transmissible status. In such status, if a transmit data is written to the transmit data register URTT, then will start the transmission operation. If the bit TE clears to '0', the transmitter will be initialized.

BIT	CONTENT
0	Transmitter disable
1	Transmitter enable (built-in baud rate generator operates)

Bit 3 : Receive enable bit (RE)

Setting the bit RE to '1', starts the built-in baud rate generator and the interface enters receivable status. In such status, if the start bit (= '0') is detected, then will start the receive operation.

If the bit RE clears to '0', the receiver will be initialized.

BIT	CONTENT
0	Receiver disable
1	Receiver enable (built-in baud rate generator operates)

Bit 2 : Parity enable bit (PEN)

BIT	CONTENT
0	Transmit : the data with parity bit Receive : parity enable
1	Transmit : the data without parity bit Receive : parity disable

Bit 1 : Even/odd parity bit (EOP)

BIT	CONTENT
0	Even parity
1	Odd parity

Bit 0 : Stop bit length bit (SBL)

BIT	CONTENT
0	Stop bit : 1 bit
1	Stop bit : 2 bits

Transfer Format

According to setting stop bit and parity bit by control register URTC, transfer format indicated by Fig. 26 can be selected.

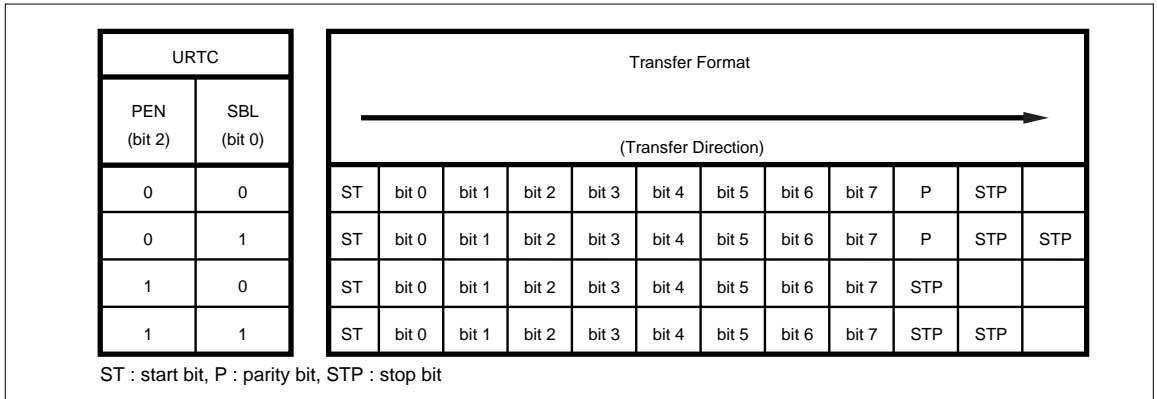


Fig. 26 Transfer Format

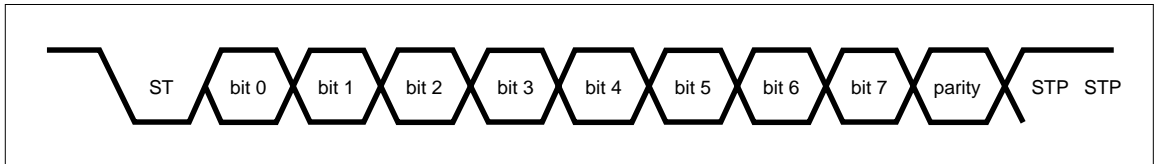


Fig. 27 8-Bit Mode Transfer Format (Example for Parity Added and 2 Stop Bits)

INSTRUCTION SET

The instruction set of the SM85CPU has the following characteristics :

- **The instruction set is the result of subtle design and consists of 67 types of basic instructions.**

- The powerful bit manipulation instructions includes plural bits transfer, logical operation between bits, and the bit test and jump instructions that incorporates a test and condition branch in the same instruction.
- There are transfer, operation and conditional branch instructions for 16-bit. The actions of transfer, operation and long jump for word data can be processed in High speed.
- There are arithmetic instructions for multiplication and division.

Multiplication : 8-bit x 8-bit→16-bit

Division : 16-bit x 16-bit→16-bit remaining
8-bit

- **23 types of memory addressing mode**

- By variety of memory addressing modes, the accessing to RAM, ROM, and register file can be operated .

Definition of Symbols

SYMBOL	EXPLANATION
PC	Program counter
SP	Stack pointer
@SP	Indirect stack pointer
PS0	Processor status 0
PS1	Processor status 1
C	Carry flag
Z	Zero flag
S	Sign flag
V	Overflow flag
D	Decimal complement flag
H	Half carry flag
BF	Bit flag
I	Interrupt enable
dst	Destination
src	Source
cc	Condition code

Instruction Summary

Load Instructions

INSTRUCTION	OPERAND	FUNCTION
CLR	dst	dst←0 (Clear)
MOV	dst, src	dst←src (Move)
MOVM	dst, IM, src	dst←(dst AND IM) OR src (Move Under Mask)
MOVW	dst, src	dst←src (Move Word)
POP	dst	dst←@SP, SP←SP+1 (Pop from Stack)
POPW	dst	dst←@SP, SP←SP+2 (Pop Word from Stack)
PUSH	src	SP←SP-1, @SP←src (Push to Stack)
PUSHW	src	SP←SP-2, @SP←src (Push Word to Stack)

Arithmetic Operation Instructions

INSTRUCTION	OPERAND	FUNCTION
ADC	dst, src	$dst \leftarrow dst + src + C$ (Add With Carry)
ADCW	dst, src	$dst \leftarrow dst + src + C$ (Add Word With Carry)
ADD	dst, src	$dst \leftarrow dst + src$ (Add)
ADDW	dst, src	$dst \leftarrow dst + src$ (Add Word)
CMP	dst, src	$dst - src$ (Compare)
CMPW	dst, src	$dst - src$ (Compare Word)
DA	dst	$dst \leftarrow DA \text{ dst}$ (Decimal Adjust)
DEC	dst	$dst \leftarrow dst - 1$ (Decrement)
DECW	dst	$dst \leftarrow dst - 1$ (Decrement Word)
DIV	dst, src	$dst \leftarrow dst / src$, $src \leftarrow dst \text{ MOD } src$ (Divide)
EXTS	dst	Extend sign (Extend Sign)
INC	dst	$dst \leftarrow dst + 1$ (Increment)
INCW	dst	$dst \leftarrow dst + 1$ (Increment Word)
MULT	dst, src	$dst \leftarrow dst \times src$ (Multiply)
NEG	dst	$dst \leftarrow -dst$ (Negate)
SBC	dst, src	$dst \leftarrow dst - src - C$ (Subtract With Carry)
SBCW	dst, src	$dst \leftarrow dst - src - C$ (Subtract Word With Carry)
SUB	dst, src	$dst \leftarrow dst - src$ (Subtract)
SUBW	dst, src	$dst \leftarrow dst - src$ (Subtract Word)

Logical Operation Instructions

INSTRUCTION	OPERAND	FUNCTION
AND	dst, src	$dst \leftarrow dst \text{ AND } src$ (Logical And)
ANDW	dst, src	$dst \leftarrow dst \text{ AND } src$ (Logical And Word)
COM	dst	$dst \leftarrow \text{NOT } dst$ (Complement)
OR	dst, src	$dst \leftarrow dst \text{ OR } src$ (Logical OR)
ORW	dst, src	$dst \leftarrow dst \text{ OR } src$ (Logical OR Word)
XOR	dst, src	$dst \leftarrow dst \text{ XOR } src$ (Logical Exclusive OR)
XORW	dst, src	$dst \leftarrow dst \text{ XOR } src$ (Logical Exclusive OR Word)

Program Control Instructions

INSTRUCTION	OPERAND	FUNCTION
BBC	src, dst	If $src = 0$ then $PC \leftarrow PC + dst$ (Branch on Bit Clear)
BBS	src, dst	If $src = 1$ then $PC \leftarrow PC + dst$ (Branch on Bit Set)
BR	cc, dst	If $cc = \text{true}$ then $PC \leftarrow PC + dst$ (Branch)
CALL	dst	$SP \leftarrow SP - 2$, $@SP \leftarrow PC$, $PC \leftarrow dst$ (Call Subroutine)
CALS	dst	$SP \leftarrow SP - 2$, $@SP \leftarrow PC$, $PC \leftarrow dst$ (Short Call Subroutine)
DBNZ	r, dst	$r \leftarrow r - 1$, if $r \neq 0$ then $PC \leftarrow PC + dst$ (Decrement and Branch on Non-Zero)
IRET		$PS1 \leftarrow @SP$, $SP \leftarrow SP + 1$, $PC \leftarrow @SP$, $SP \leftarrow SP + 2$ (Return from Interrupt)
JMP	cc, dst	If $cc = \text{true}$, then $PC \leftarrow dst$ (Jump)
RET		$PC \leftarrow @SP$, $SP \leftarrow SP + 2$ (Logical Exclusive OR Word)

Bit Operation Instructions

INSTRUCTION	OPERAND	FUNCTION
BAND	BF, src	BF←BF AND src (Bit And)
BCLR	dst	dst←0 (Bit Clear)
BCMP	BF, src	BF←src (Bit Compare)
BMOV	dst, src	dst←src (Bit Move)
BOR	dst, src	dst←BF OR src (Bit OR)
BSET	dst	dst←1 (Bit Set)
BTST	dst, src	dst AND src (Bit Test)
BXOR	BF, src	BF←BF XOR src (Bit Exclusive OR)

Rotate and Shift Instructions

INSTRUCTION	OPERAND	FUNCTION
RLC	dst	(Rotate Left through Carry)
RR	dst	(Rotate Right)
RRC	dst	(Rotate Right through Carry)
SLL	dst	(Shift Left Logical)
SRA	dst	(Shift Right Arithmetic)
SRL	dst	(Shift Right Logical)
SWAP	dst	(Swap Nibbles)

CPU Control Instructions

INSTRUCTION	OPERAND	FUNCTION
CLRC		C←0 (Clear Carry Flag)
COMC		C←NOT C (Complement Carry Flag)
DI		I←0 (Disable Interrupt)
EI		I←1 (Enable Interrupt)
HALT		Move to HALT mode (Halt CPU)
NOP		No Operation (No Operation)
SETC		C←1 (Set Carry Flag)
STOP		Go to STOP mode (Stop CPU)

Addressing Mode

There are 23 types of addressing mode to perform memory accessing in SM85CPU. The relationships

between the addressing modes and the operand are shown in the following table 5.

Table 5 Addressing Mode Summary

NAME	SYMBOL	Range	Operand *1
Implied			To specify the carry(C) and interrupt enable (I) in the instruction code.
Register	r	r = R0-R7	General register [byte]
Register pair	rr	r = RR0, RR2, ... , RR14	General register [word]
Register file	R	R = 0 to 255 (R0-R15)	Register file (0000H-007FH) and (0080H-00FFH) [byte]
Register file pair	RR	R = 0, 2, ... 254 (RR0, RR2, ... , RR14)	Register file (0000H-007FH) and (0080H-00FFH) [byte]
Register indirect	@r	r = R0-R7	Memory (0000H-00FFH) [byte]
Register indirect auto increment	(r)+	r = R0-R7	Memory (0000H-00FFH) [byte]
Register indirect auto decrement	-(r)	r = R0-R7	Memory (0000H-00FFH) [byte]
Register index	n(r)*2	n = 00H-FFH, r = R1-R7	Memory (0000H-00FFH) [byte]
Register pair indirect	@rr	rr = RR0, RR2, ... , RR14	Memory (0000H-FFFFH) [word/byte]
Register pair indirect auto increment	(rr)+	rr = RR0, RR2, ... , RR14	Memory (0000H-FFFFH) [word/byte]
Register pair indirect auto decrement	-(rr)	rr = RR0, RR2, ... , RR14	Memory (0000H-FFFFH) [word/byte]
Register pair index	nn(rr)*3	nn = 0000H-FFFFH rr = RR2, RR4, ... , RR14	Memory (0000H-FFFFH) [word/byte]
Index indirect	@nn(r)*2	nn = 0000H-FFFFH r = R1-R7	Memory (0000H-FFFFH) [word]
Immediate	IM	IM = 00H-FFH	The immediate data in the instruction code [byte]
Immediate long	IML	IML = 0000H-FFFFH	The immediate data in the instruction code [word]
Bit	b	b = 0 to 7	Register file (0000H-007FH) and memory (0080H-00FFH, FF00H-FFFFH) [bit] (1 bit of 1 byte pointed by R, n(r) and DAp)
Port	p		Register file (0010H-0017H) [byte]
Relative	RA	PC - 128 to PC + 127	Program memory (1000H-FFFFH)
Direct	DA	DA = 0000H-FFFFH	Memory (0000H-FFFFH) [byte]
Direct short	DAs	DAs = 1000H-1FFFH	Program memory (1000H-1FFFH)
Direct special page	DAp	DAp = FF00H-FFFFH	Program memory (FF00H-FFFFH) [byte]
Direct indirect	@DA	DA = 0000H-FFFFH	Memory (0000H-FFFFH)

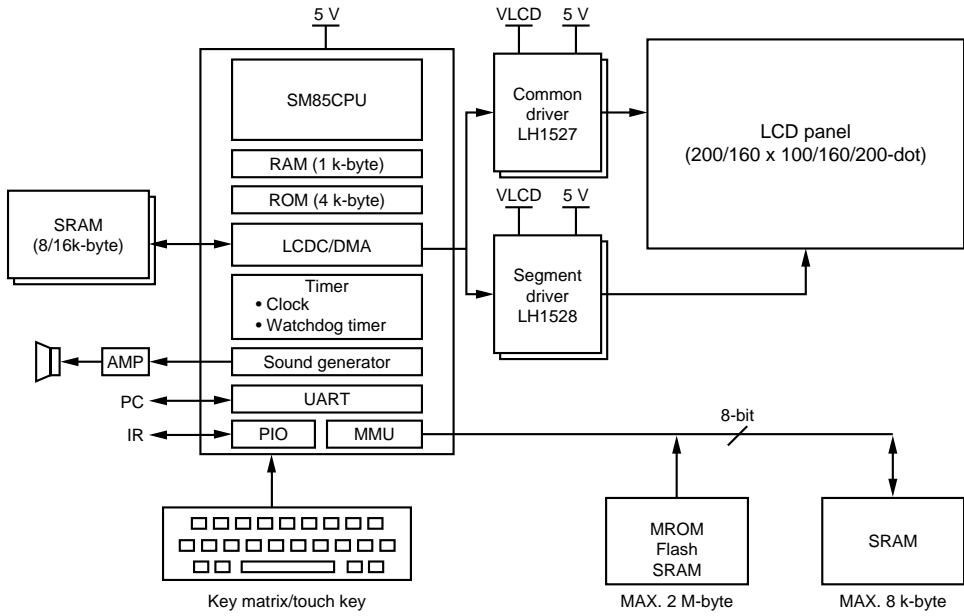
*1 The data indicated by [] is the unit of possible to use in Load and Arithmetic Instructions.

*2 R0 can not be used.

*3 RR0 can not be used.

SYSTEM CONFIGURATION EXAMPLE

• Electronic organizer



128 QFP (QFP128-P-1420)

