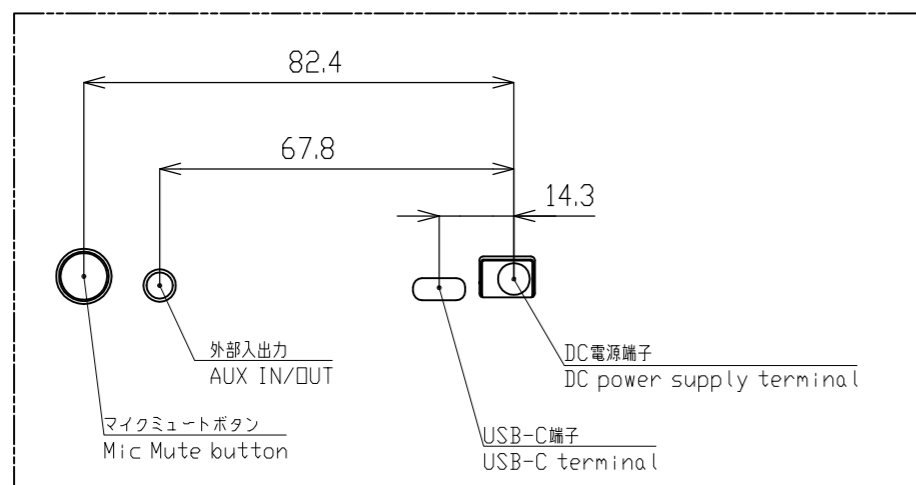
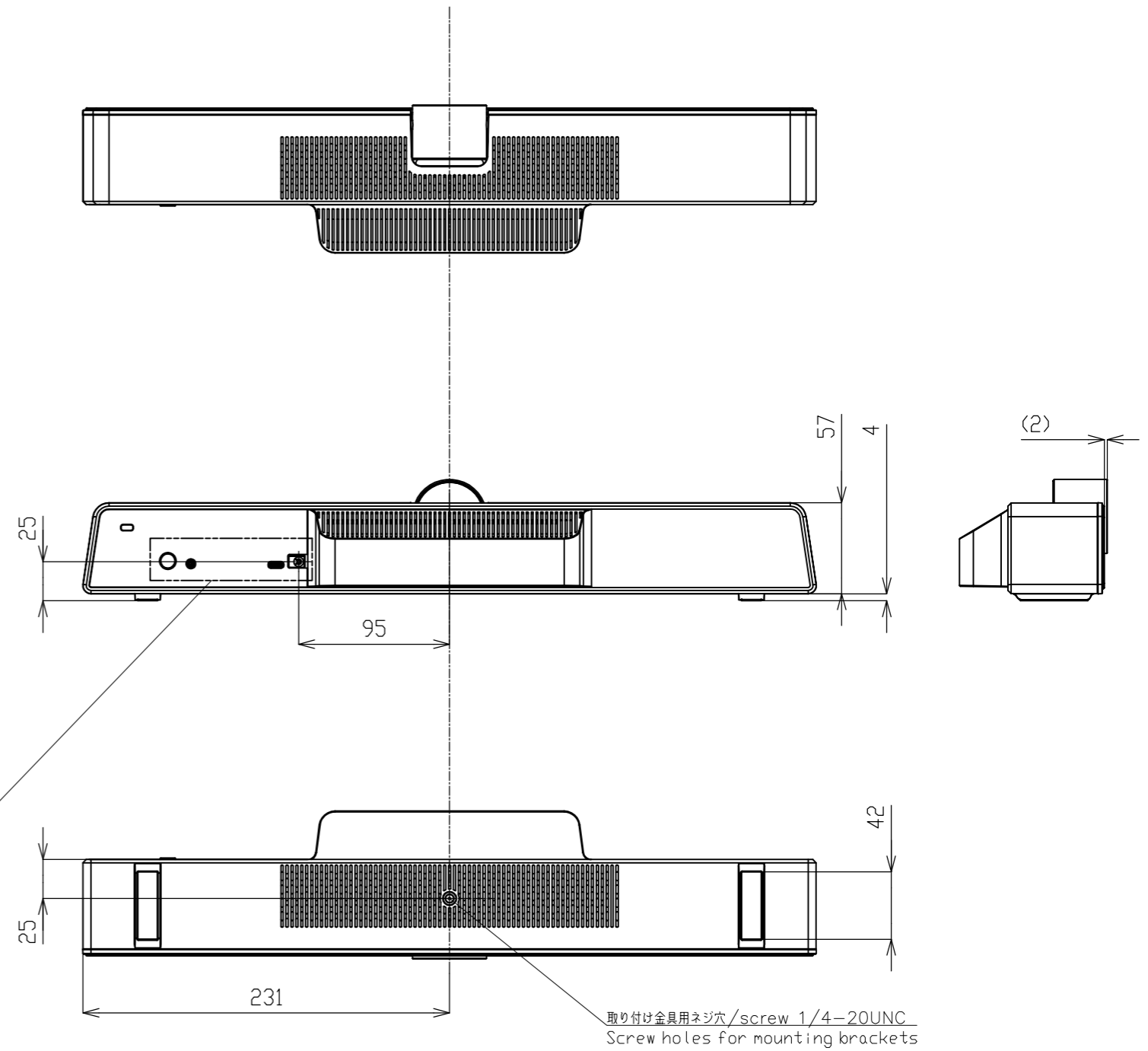
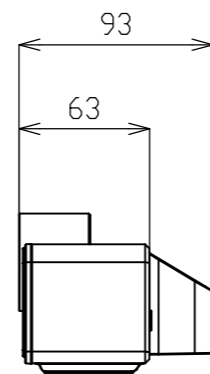
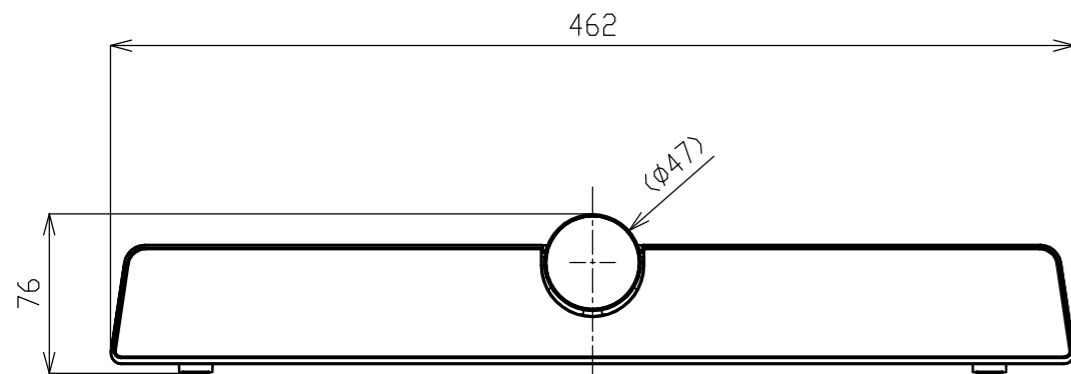


# PN-ZCMS1

## Dimensional Drawings



質量	約	0.95 kg
WEIGHT	APPROX.	(ONLY CONTROLLER)

単位 : mm  
Unit : mm